

RANGE	CODE	MODEL	FUNCTION
MI - IIO	MAMCOOIIIOO	CVII8ET	<b>Glassceramic Ranges</b>

ITEM

**Pass through 4 ceramic hotplate electric boiling top**



RANGE	CODE	MODEL	FUNCTION
MI - 110	MAMCOO11100	CV118ET	<b>Glassceramic Ranges</b>

ITEM

**Pass through 4 ceramic hotplate electric boiling top**



#### TECHNICAL SPECIFICATIONS

WIDTH (mm):	<b>800</b>
DEPTH (mm):	<b>1100</b>
HEIGHT (mm):	<b>250</b>
WEIGHT (Kg):	<b>69</b>
VOLUME (m <sup>3</sup> ):	<b>0.37</b>
EL. POWER (kW):	<b>16</b>
VOLTAGE:	<b>VAC400 3N</b>
COOKING ZONES N°:	<b>4</b>
COOKING ZONES DIM. (mm):	<b>750x700</b>
COOKING ZONE DETAILS:	<b>4 x 4 kW</b>
IP GRADE:	<b>IPX5</b>

#### DESCRIPTION

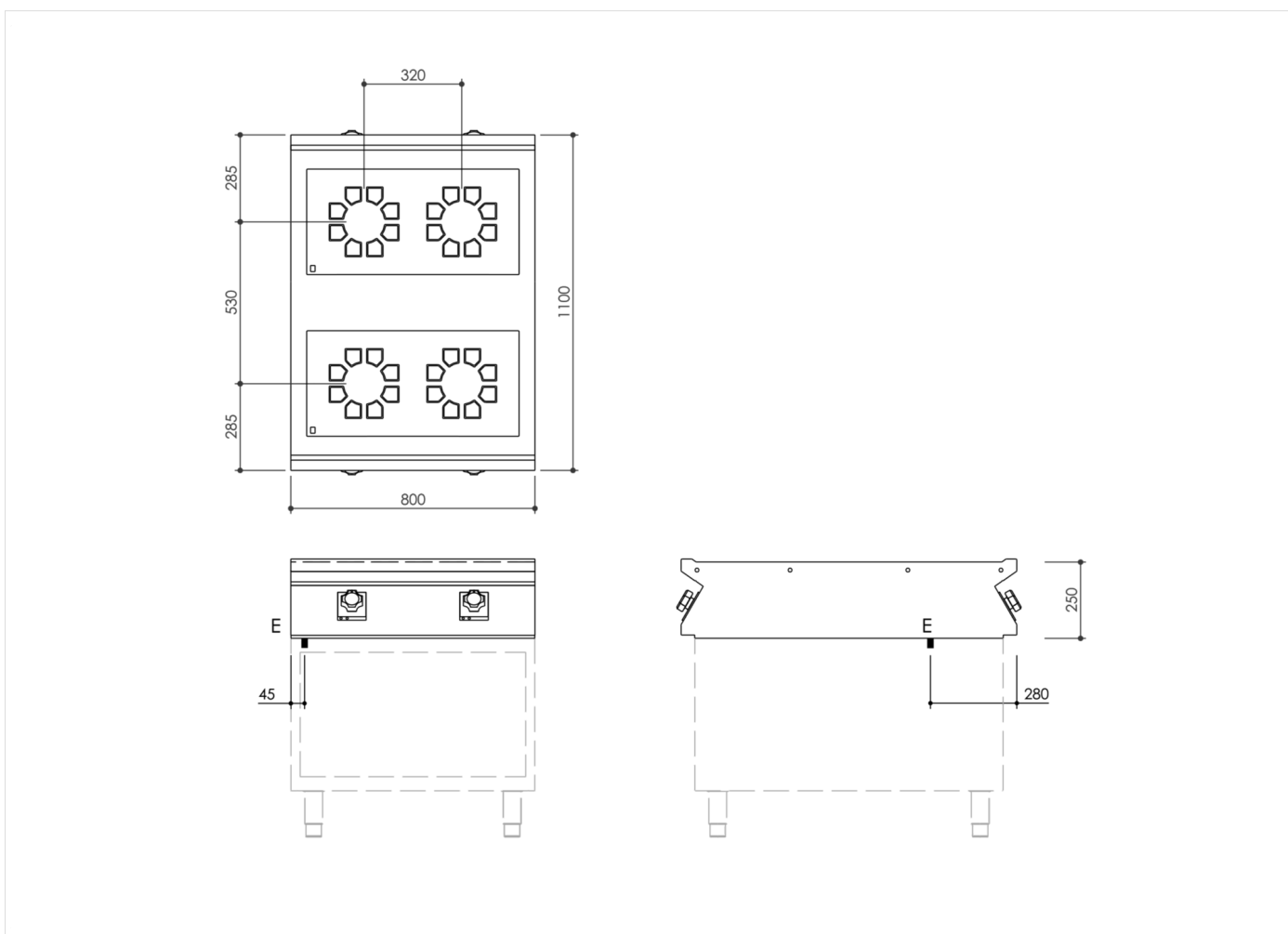
Pass-through glass ceramic electric boiling top, in AISI 304 stainless steel. 20/10 pressed steel top with anti-spill front edge, designed for flush alignment with hermetic seal supplied. 6 mm thick glass ceramic cooking surface hermetically sealed to the top and designed to create 4 independent cooking zones, each with underlying 4 kW Ø 300 mm radiant elements to reach maximum temperature of 400°C in 3 min. Glass dimensions 750x700 mm. The cooking zones are marked by screen printed circles on the glass-ceramic surface and equipped with residual heat indicators. Energy regulator for heat control with shape designed to prevent water infiltration, with integral indicator lights for instant recognition of appliance operation. Hotplates equipped with automatic reset safety thermostat that trips if the appliance is switched on with an unsuitable pan or no pan at all. IPX5 water-resistant rating.



RANGE	CODE	MODEL	FUNCTION
MI - IIO	MAMCOOIIIOO	CVII8ET	Glassceramic Ranges

ITEM

Pass through 4 ceramic hotplate electric boiling top



**INSTALLATION SPECIFICATIONS**

(E) Electrical Connection: VAC400 3N 50Hz

