

RANGE	CODE	MODEL	FUNCTION
MI - IIO	MAMCOOIIIIO	CVII8EG	Glassceramic Ranges

ITEM

Pass through 4 ceramic hotplate electric boiling top on open stand



RANGE	CODE	MODEL	FUNCTION
MI - IIO	MAMCOOIIIO	CVII8EG	Glassceramic Ranges

ITEM

Pass through 4 ceramic hotplate electric boiling top on open stand



TECHNICAL SPECIFICATIONS

WIDTH (mm):	800
DEPTH (mm):	1100
HEIGHT (mm):	900
WEIGHT (Kg):	69
VOLUME (m ³):	0.99
EL. POWER (kW):	16
VOLTAGE:	VAC400 3N
INTERNAL BASE UNIT DIM. (mm):	740x1000x390(h)
COOKING ZONES N°:	4
COOKING ZONES DIM. (mm):	750x700
COOKING ZONE DETAILS:	4 x 4 kW
IP GRADE:	IPX5

DESCRIPTION

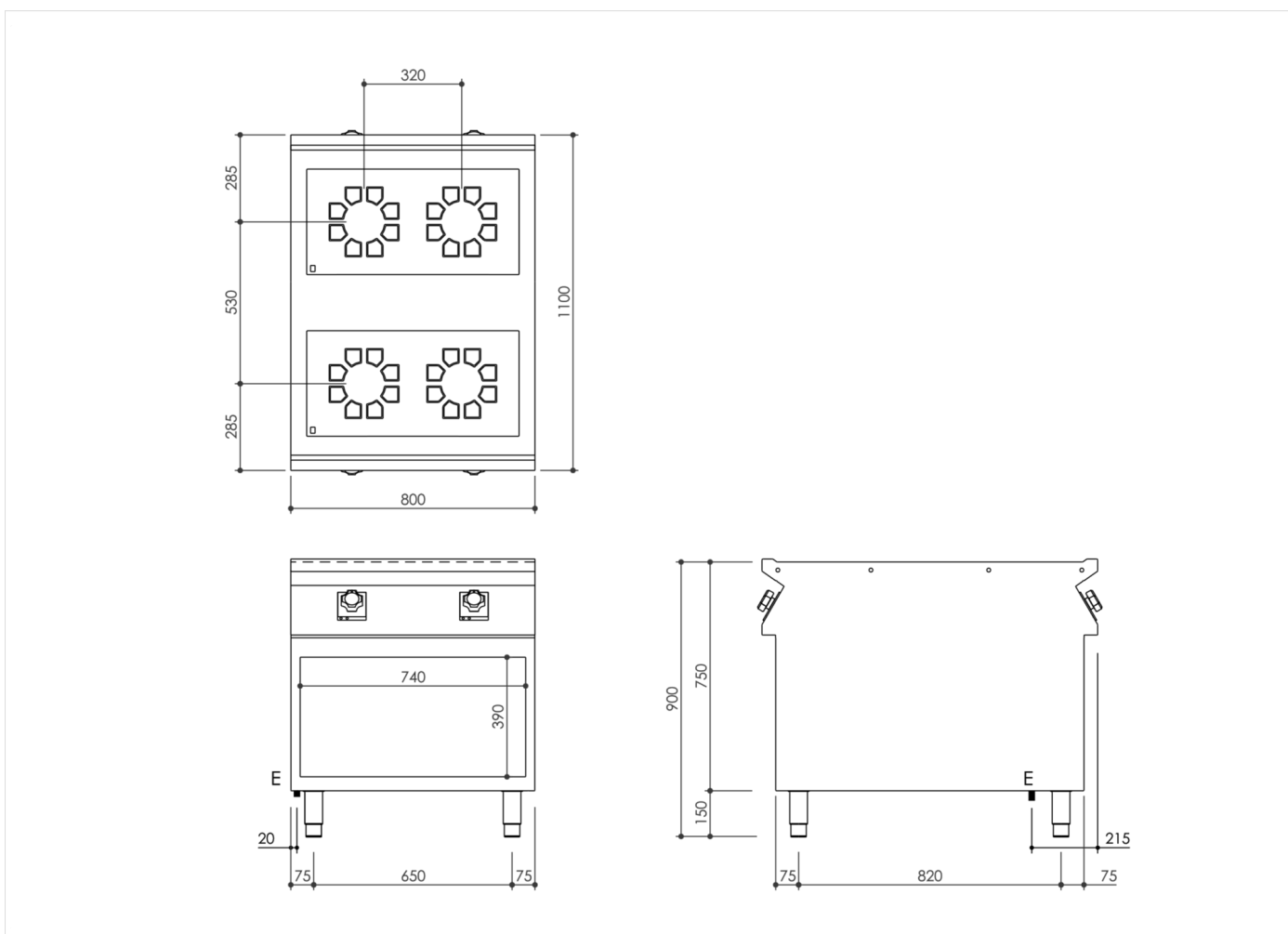
Pass-through, freestanding glass ceramic electric boiling top, on open cabinet base, in AISI 304 stainless steel. 20/10 pressed steel top with anti-spill front edge, designed for flush alignment with hermetic seal supplied. 6 mm thick glass ceramic cooking surface hermetically sealed to the top and designed to create 4 independent cooking zones, each with underlying 4 kW Ø 300 mm radiant elements to reach maximum temperature of 400°C in 3 min. Glass dimensions 750x700 mm. The cooking zones are marked by screen printed circles on the glass-ceramic surface and equipped with residual heat indicators. Energy regulator for heat control with shape designed to prevent water infiltration, with integral indicator lights for instant recognition of appliance operation. Hotplates equipped with automatic reset safety thermostat that trips if the appliance is switched on with an unsuitable pan or no pan at all. IPX5 water-resistant rating. Appliance equipped with stainless steel adjustable feet.



RANGE	CODE	MODEL	FUNCTION
MI - IIO	MAMCOOIIIIO	CVII8EG	Glassceramic Ranges

ITEM

Pass through 4 ceramic hotplate electric boiling top on open stand



INSTALLATION SPECIFICATIONS

(E) Electrical Connection: VAC400 3N 50Hz

