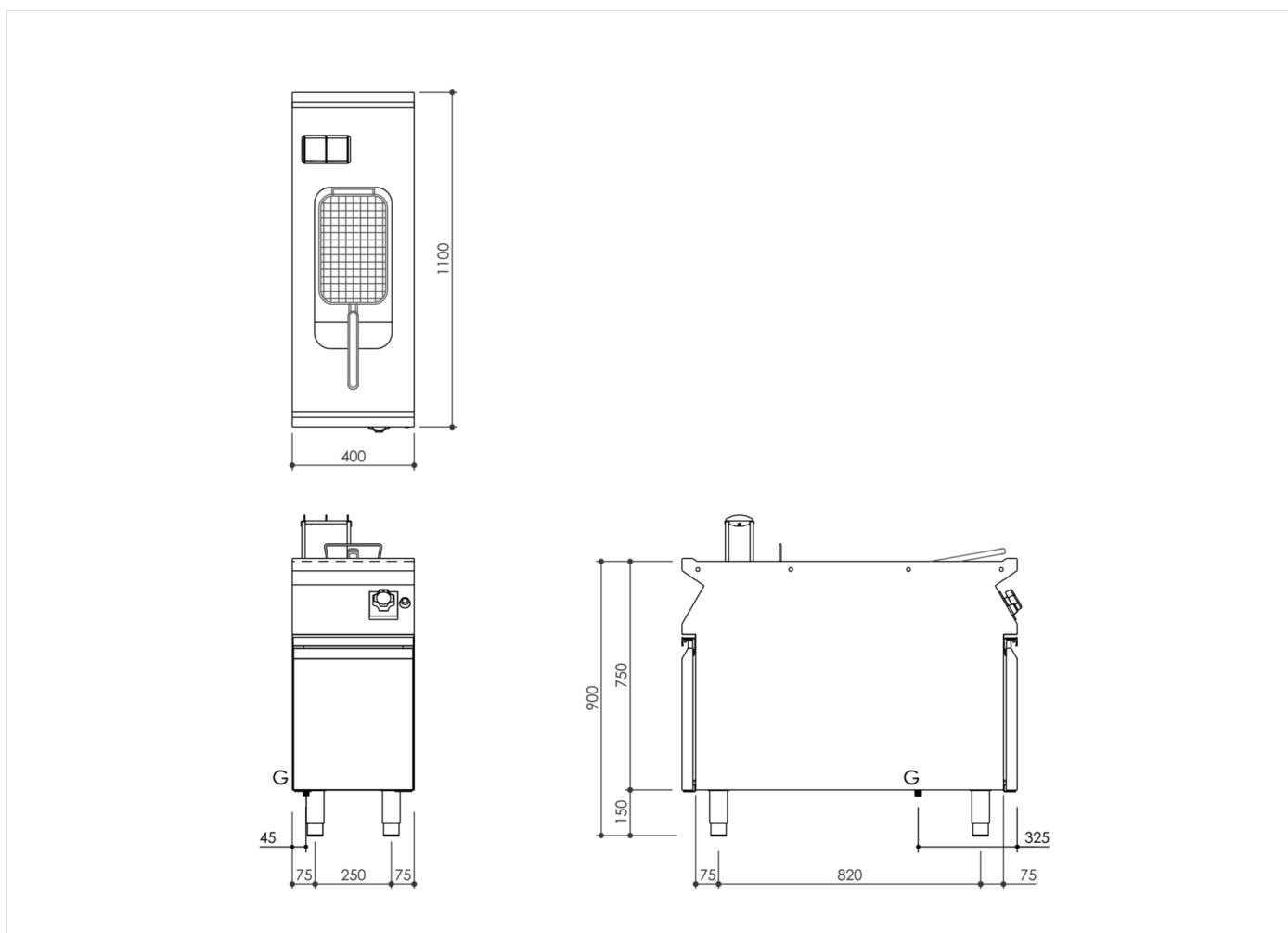


RANGE	CODE	MODEL	FUNCTION
MI - 110	MAMCOO11390	FRI14G15A	Fryers

ITEM

Pass through single pan gas fryer 15 litres



INSTALLATION SPECIFICATIONS

(G) Gas Inlet: $\text{Ø}1/2''$

