

RANGE	CODE	MODEL	FUNCTION
MI - 60	CRO852970	C67G	Gas Ranges

ITEM

4 gas burner boiling top



RANGE	CODE	MODEL	FUNCTION
MI - 60	CRO852970	C67G	Gas Ranges

ITEM

4 gas burner boiling top



TECHNICAL SPECIFICATIONS

WIDTH (mm):	700
DEPTH (mm):	650
HEIGHT (mm):	295
WEIGHT (Kg):	31
VOLUME (m ³):	0.27
GAS POWER (kW):	19
IP GRADE:	IPX3

DESCRIPTION

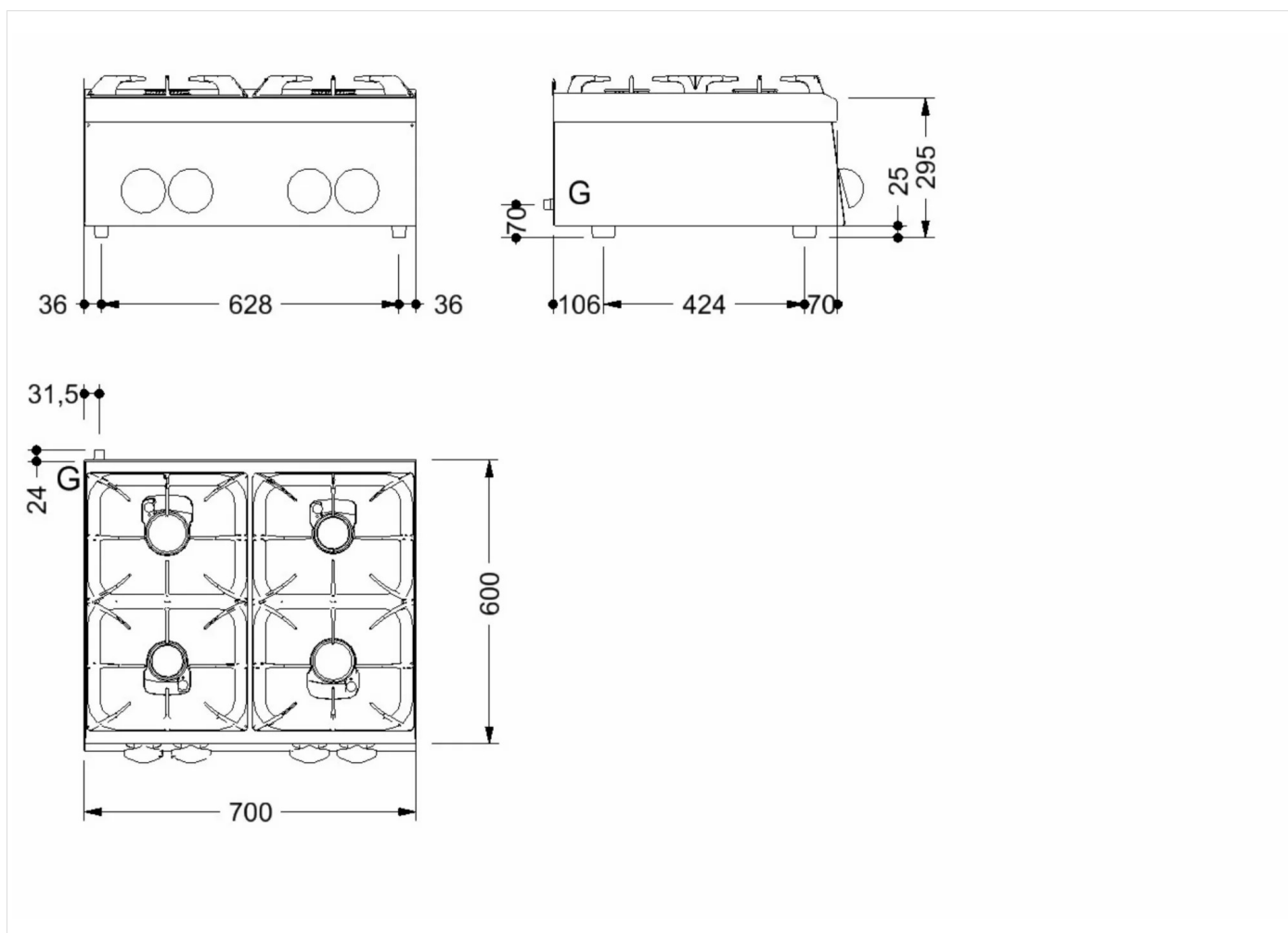
Gas heated boiling top with 4 cast iron burners, 2 with 3,5 kW, 2 with 6 kW. Gas cock c/w safety valve.



RANGE	CODE	MODEL	FUNCTION
MI - 60	CRO852970	C67G	Gas Ranges

ITEM

4 gas burner boiling top



INSTALLATION SPECIFICATIONS

(G) Gas Inlet:

Ø1/2"

