

RANGE	CODE	MODEL	FUNCTION
MI - 60	CRO858180	C64EM	Electric Cookers

ITEM

1 hotplate electric boiling top



RANGE	CODE	MODEL	FUNCTION
MI - 60	CRO858180	C64EM	Electric Cookers

ITEM

1 hotplate electric boiling top



#### TECHNICAL SPECIFICATIONS

WIDTH (mm):	400
DEPTH (mm):	600
HEIGHT (mm):	295
WEIGHT (Kg):	19
VOLUME (m <sup>3</sup> ):	0.15
EL. POWER (kW):	3.5
VOLTAGE:	VAC230
COOKING ZONES N°:	1
COOKING ZONES DIM. (mm):	1x Ø330mm
COOKING ZONE DETAILS:	1x 3,5kW
IP GRADE:	IPX3
TEMP. RANGE (°C):	0-450

#### DESCRIPTION

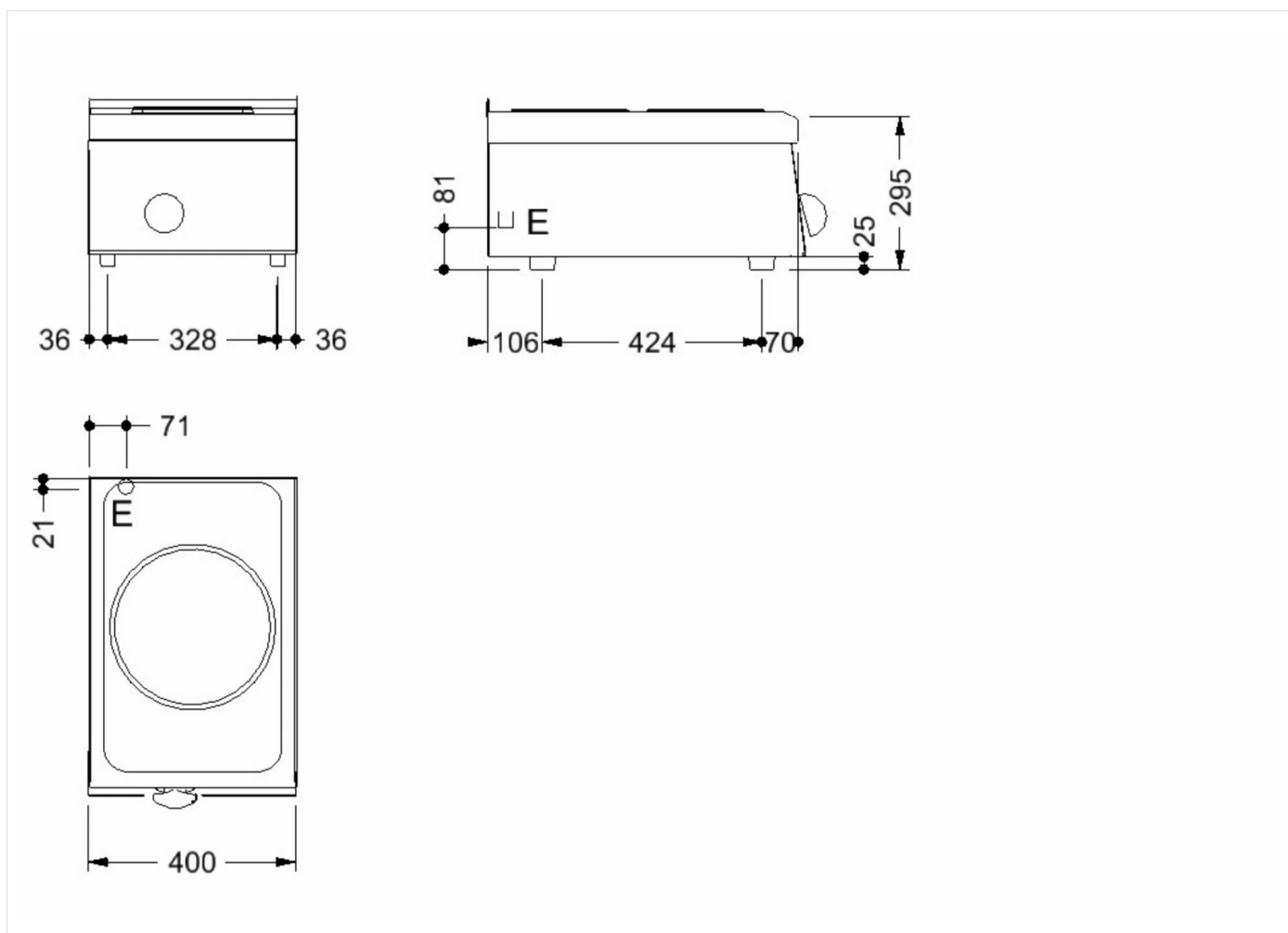
S/s electric hob. With 1 central elec. hotplate Ø 330 mm at 3.5 kW. The hotplate is sealed after being fitted and finished with a non-drip edge.



RANGE	CODE	MODEL	FUNCTION
MI - 60	CRO858180	C64EM	Electric Cookers

ITEM

I hotplate electric boiling top



## INSTALLATION SPECIFICATIONS

(E) Electrical Connection: VAC230 50/60Hz

