

RANGE	CODE	MODEL	FUNCTION
MI - 60	CRO853I30	V67E	Glassceramic Ranges

ITEM

4 ceramic hotplate electric boiling top



RANGE	CODE	MODEL	FUNCTION
MI - 60	CRO853I3O	V67E	Glassceramic Ranges

ITEM

4 ceramic hotplate electric boiling top



TECHNICAL SPECIFICATIONS

WIDTH (mm):	700
DEPTH (mm):	600
HEIGHT (mm):	295
WEIGHT (Kg):	23
VOLUME (m ³):	0.22
EL. POWER (kW):	8
VOLTAGE:	VAC230 / VAC230 3 / VAC400 3N
COOKING ZONES N°:	4
COOKING ZONES DIM. (mm):	2x Ø220mm 1x Ø180mm 1x Ø145mm
COOKING ZONE DETAILS:	2x 2,5kW 1x 1,8kW 1x 1,2kW
IP GRADE:	IPX3

DESCRIPTION

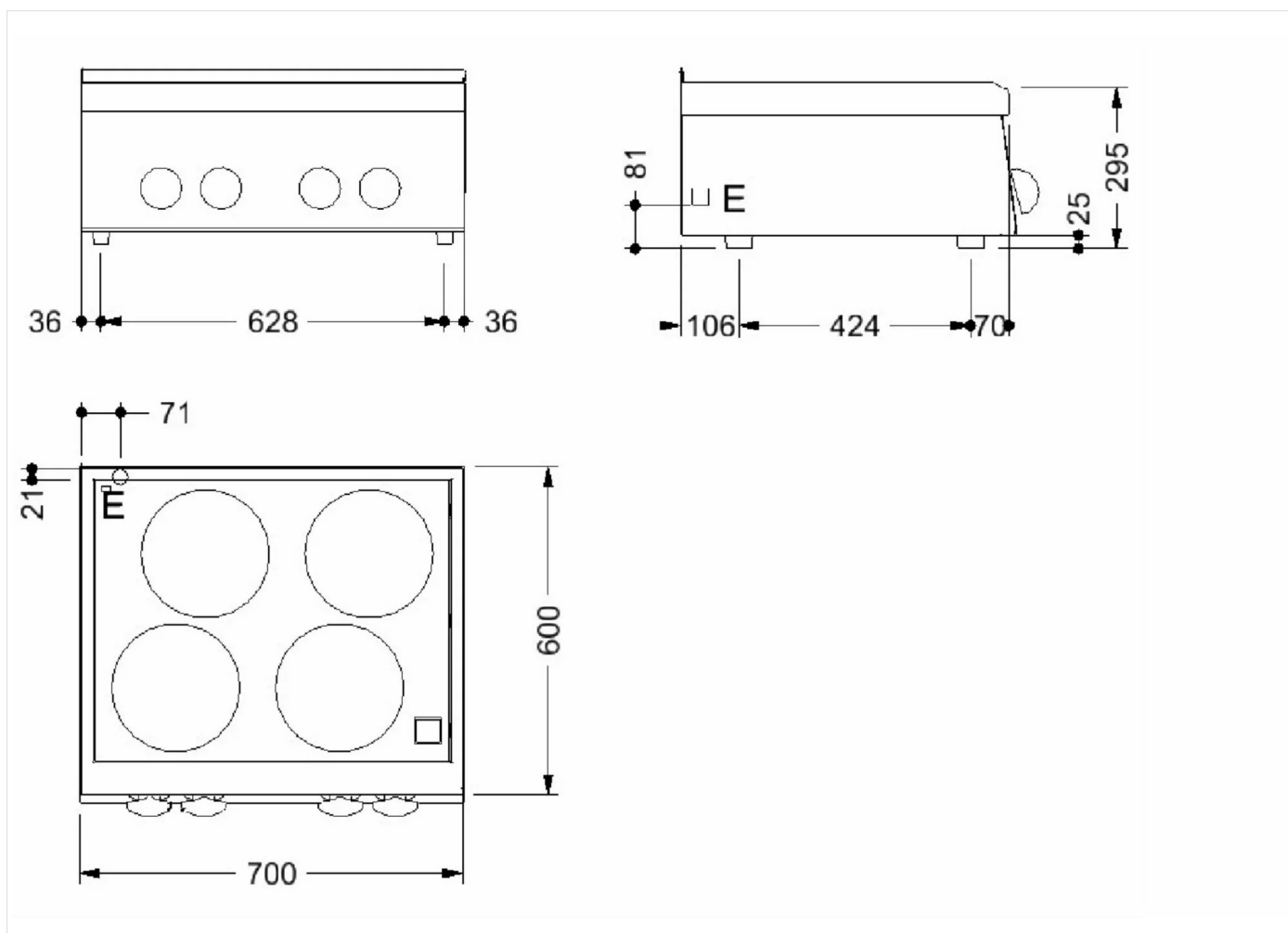
S/s glass ceramic hob. Equipped with 4 independent cooking zones: 2 Ø 220 mm zones with 2.5 kW dual circuit output, 1 Ø 180 mm zone with 1.8 kW output, 1 Ø 14.5 mm zone with 1.2 kW output. The cooking zones are marked by silk-screened circles on the glass ceramic surface and equipped with residual heat indicators. Glass ceramic surface 510x546 mm.



RANGE	CODE	MODEL	FUNCTION
MI - 60	CRO853I3O	V67E	Glassceramic Ranges

ITEM

4 ceramic hotplate electric boiling top



INSTALLATION SPECIFICATIONS

(E) Electrical Connection:

VAC230 / VAC230 3 / VAC400 3N 50/60Hz

