

RANGE	CODE	MODEL	FUNCTION
MI - 60	CRO853140	V67EP	Glassceramic Ranges

ITEM

4 ceramic hotplate electric enhanced boiling top



RANGE	CODE	MODEL	FUNCTION
MI - 60	CRO853140	V67EP	Glassceramic Ranges

ITEM

4 ceramic hotplate electric enhanced boiling top



TECHNICAL SPECIFICATIONS

WIDTH (mm):	700
DEPTH (mm):	600
HEIGHT (mm):	295
WEIGHT (Kg):	23
VOLUME (m ³):	0.22
EL. POWER (kW):	10
VOLTAGE:	VAC230 3 / VAC400 3N
COOKING ZONES N°:	4
COOKING ZONES DIM. (mm):	4x Ø220mm
COOKING ZONE DETAILS:	4x 2,5kW
IP GRADE:	IPX3

DESCRIPTION

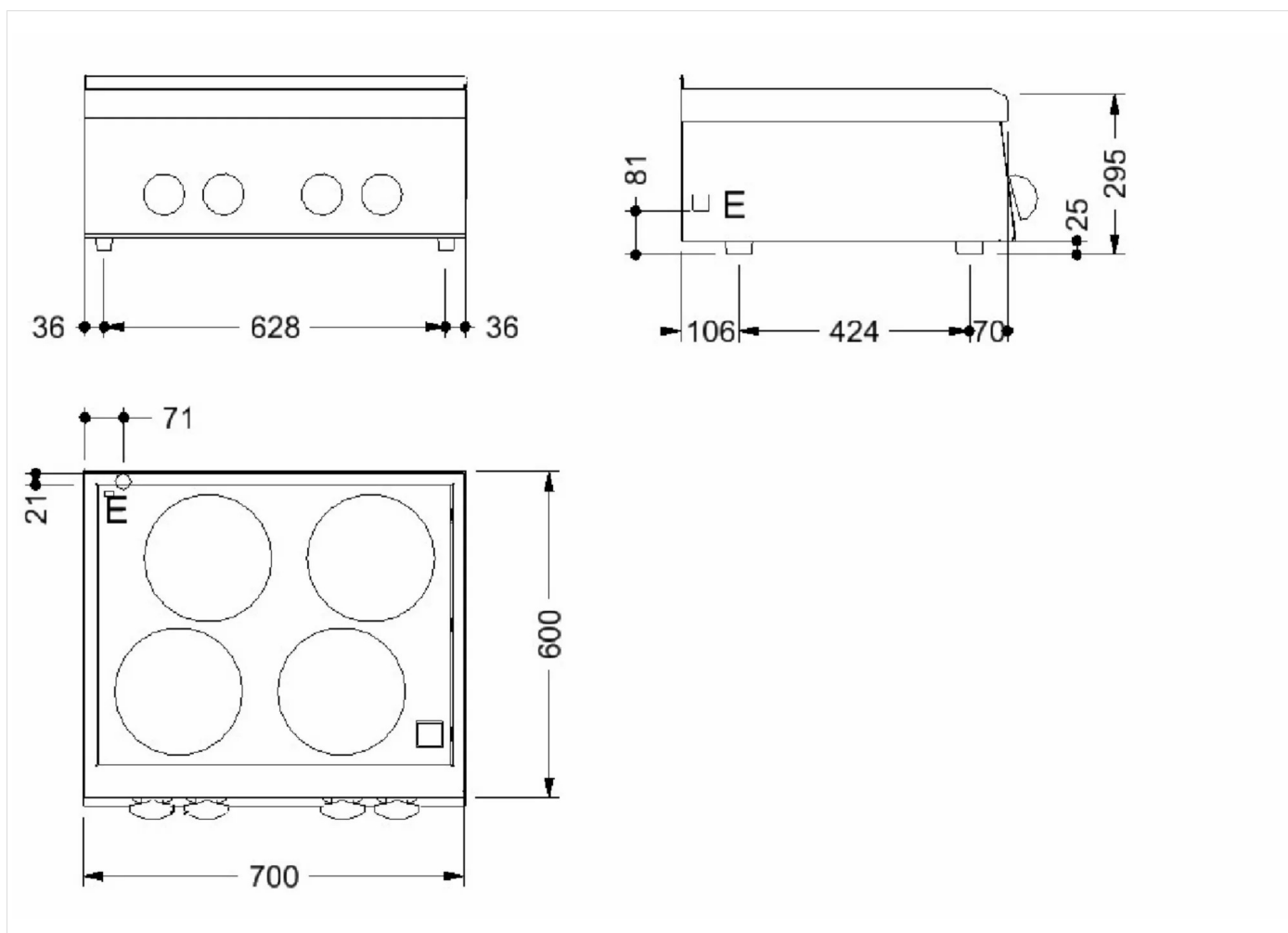
S/s glass ceramic hob. Equipped with 4 independent cooking zones: 4 Ø 220 mm zones with 2.5 kW dual circuit output. The cooking zones are marked by silk-screened circles on the glass ceramic surface and equipped with residual heat indicators. Glass ceramic surface 510x546 mm.



RANGE	CODE	MODEL	FUNCTION
MI - 60	CRO853I40	V67EP	Glassceramic Ranges

ITEM

4 ceramic hotplate electric enhanced boiling top



INSTALLATION SPECIFICATIONS

(E) Electrical Connection: VAC230 3 / VAC400 3N 50/60Hz

