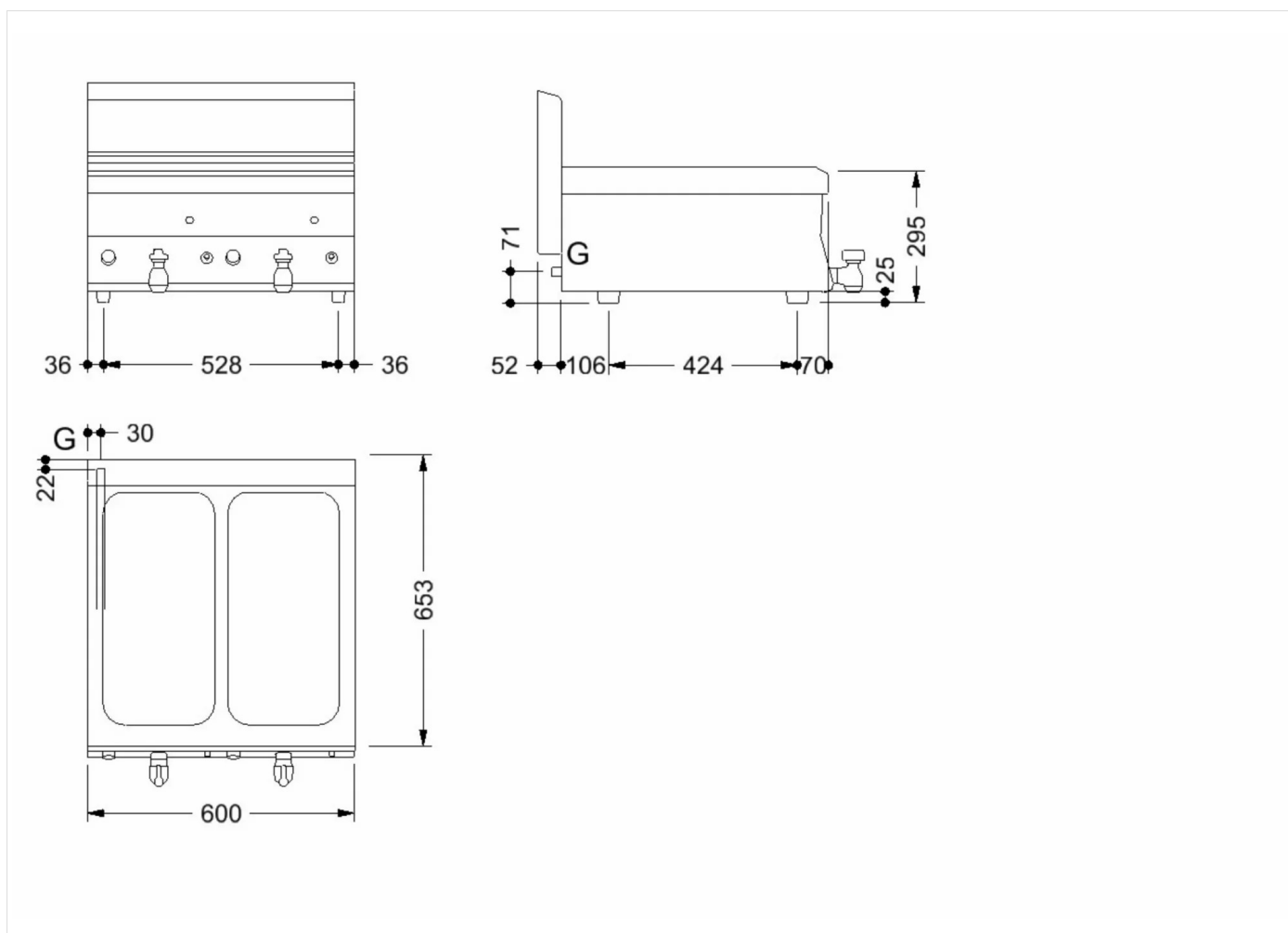


RANGE	CODE	MODEL	FUNCTION
MI - 60	CR1620410	F66G8	Fryers

ITEM

Twin pan gas fryer 8+8 litres top



INSTALLATION SPECIFICATIONS

(G) Gas Inlet:

Ø1/2"

