



RANGE	CODE	MODEL	FUNCTION
MI - 60	CRI620450	F66ER	Fryers

ITEM

**Twin pan electric fryer 10+10 litres top**



**TECHNICAL SPECIFICATIONS**

WIDTH (mm):	600		
DEPTH (mm):	600		
HEIGHT (mm):	295		
WEIGHT (Kg):	34		
VOLUME (m <sup>3</sup> ):	0.22		
EL. POWER (kW):	12		
VOLTAGE:	VAC400 3N		
COOKING ZONES N°:	2		
COOKING ZONE DETAILS:	2x 6kW		
TANK DIM. (mm):	220x340mm		
TANK N°:	2	CAPACITY (L):	10
IP GRADE:	IPX3		
TEMP. RANGE (°C):	90-180		

**DESCRIPTION**

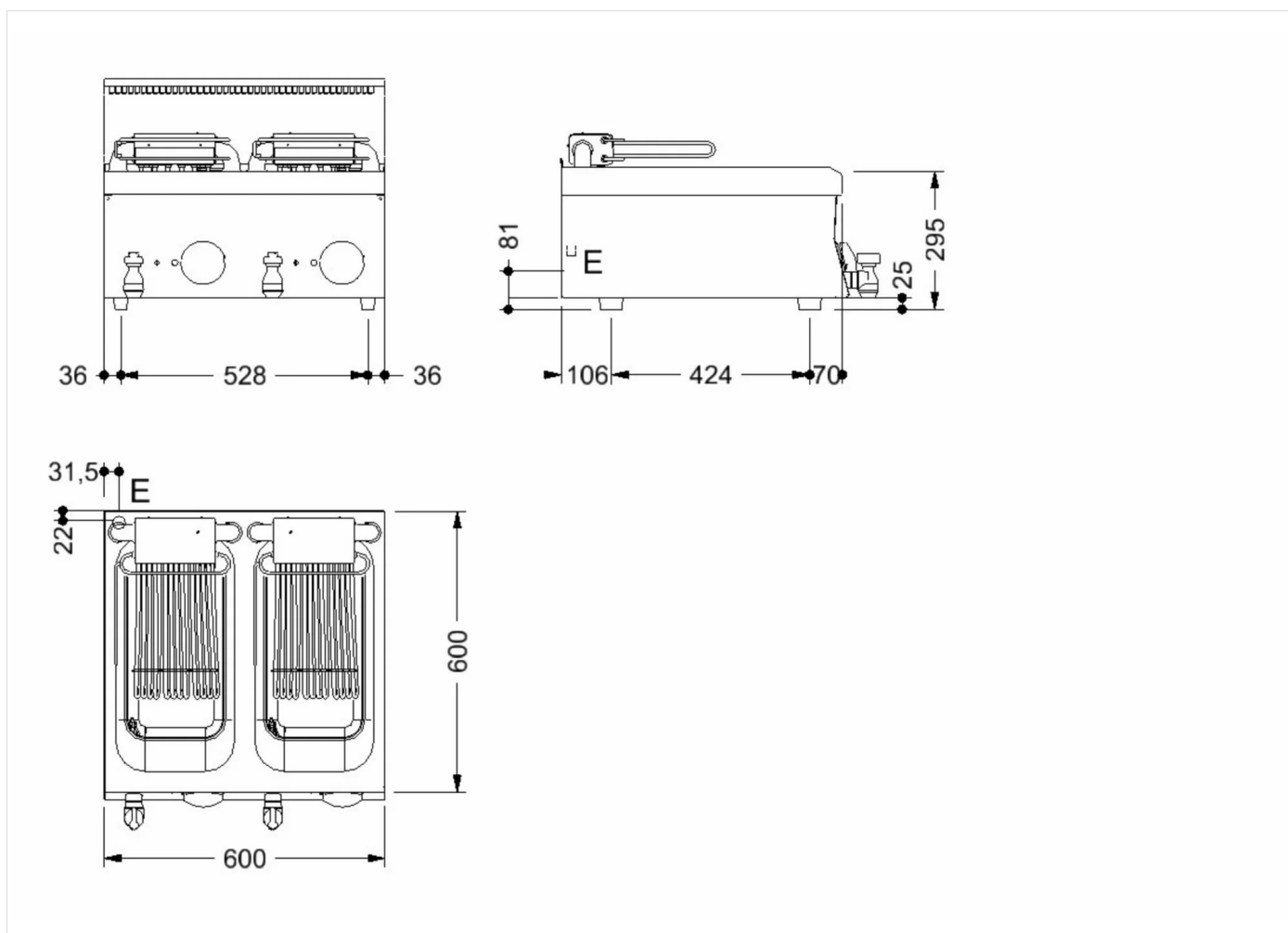
Electric fryer, made of stainless steel. Heating by resistance in the tank. Pressed tanks 2 from Lt.10 equipped with cold zone and oil expansion zone radiated and inclined. Adjustable thermostat from 100°C to 180°C and safety thermostat with manual reset. Indicator lamps to control the insertion of the electric net and the working of the resistances. Removable filter, basket, lid and drain manifold included.



RANGE	CODE	MODEL	FUNCTION
MI - 60	CRI62O45O	F66ER	Fryers

ITEM

Twin pan electric fryer 10+10 litres top



### INSTALLATION SPECIFICATIONS

(E) Electrical Connection: VAC400 3N 50/60Hz

