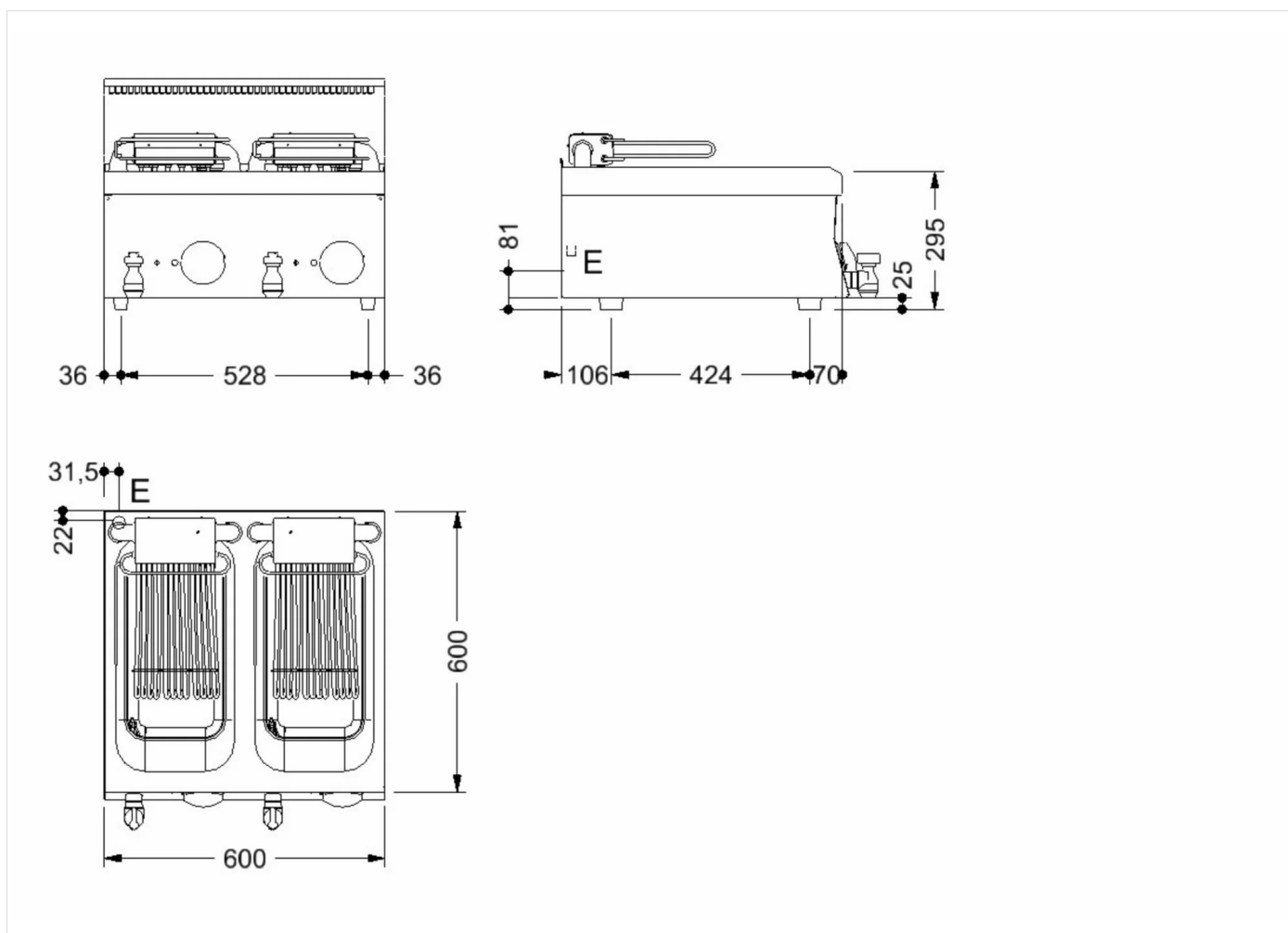


RANGE	CODE	MODEL	FUNCTION
MI - 60	CRI62O46O	F66ER2	Fryers

ITEM

Twin pan electric fryer 10+10 litres top



INSTALLATION SPECIFICATIONS

(E) Electrical Connection: VAC230 3 50/60Hz

