

RANGE	CODE	MODEL	FUNCTION
MI - 60	CRI3O2500	FT64GL	Griddles

ITEM

Gas griddle top with smooth plate



RANGE	CODE	MODEL	FUNCTION
MI - 60	CRI302500	FT64GL	Griddles

ITEM

Gas griddle top with smooth plate



TECHNICAL SPECIFICATIONS

WIDTH (mm):	400
DEPTH (mm):	650
HEIGHT (mm):	295
WEIGHT (Kg):	43
VOLUME (m ³):	0.22
GAS POWER (kW):	5
COOKING ZONES N°:	1
COOKING ZONES DIM. (mm):	396x555mm
COOKING ZONE DETAILS:	1x 5kW
PRODUCT SPECIFICATIONS:	Smooth Inox AISI 430 Plate
TEMP. RANGE (°C):	160-280

DESCRIPTION

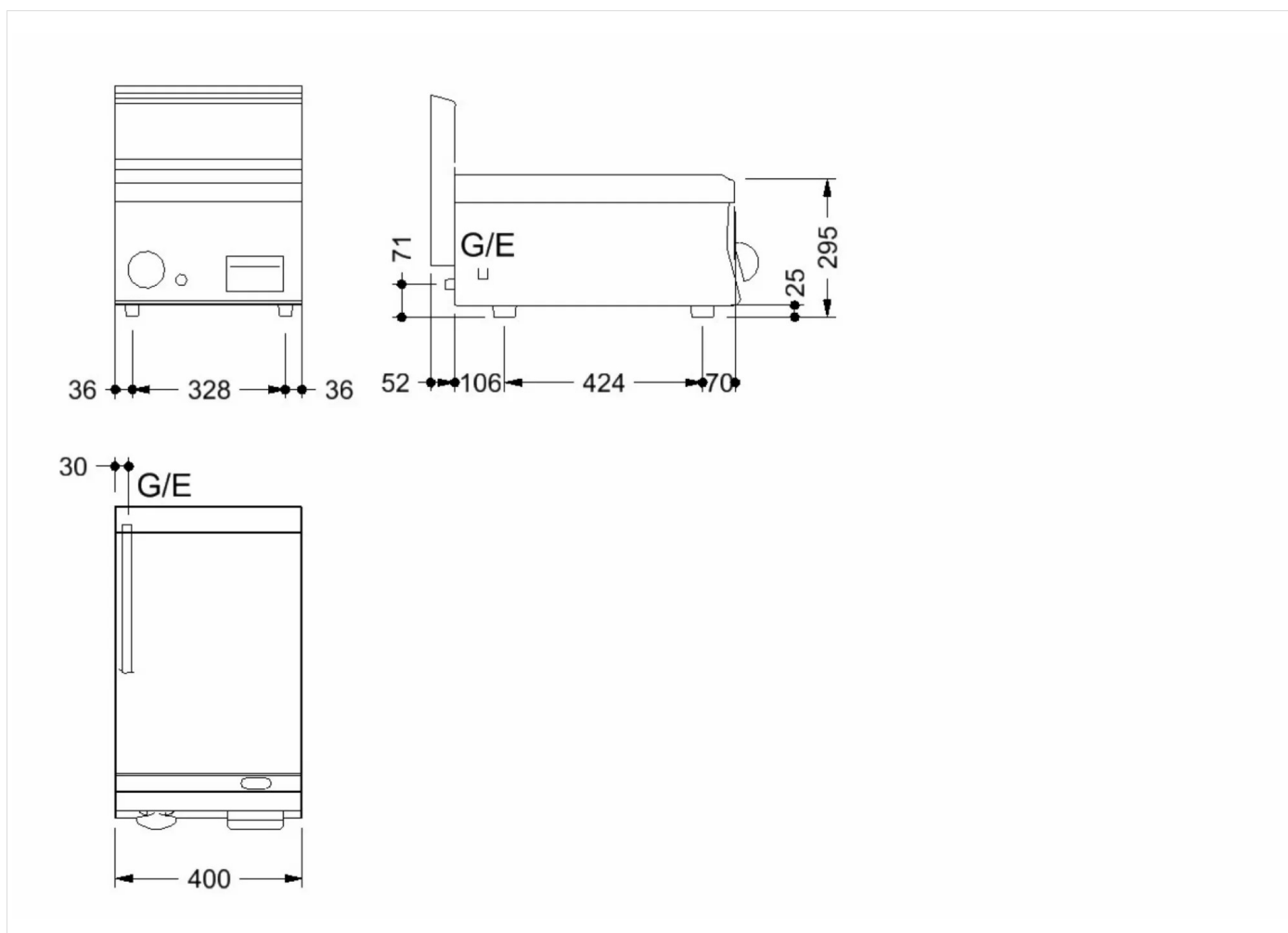
Gas heated griddle with smooth plate mm 396x555 made of Aisi 430 stainless steel, gas supply through thermostatic cock, removable splash guard, dripping fat drawer. S/s scraper. The product complies with EC 1935/2004 Regulation and 21/O3/1973 Rulemaking (Materials and articles intended to come into contact with foodstuffs).



RANGE	CODE	MODEL	FUNCTION
MI - 60	CRI3O2500	FT64GL	Griddles

ITEM

Gas griddle top with smooth plate



INSTALLATION SPECIFICATIONS

(G) Gas Inlet: $\text{Ø}1/2''$

