

RANGE	CODE	MODEL	FUNCTION
MI - 60	CRO853240	FT68GLC	Griddles

ITEM

Gas griddle top with smooth chromed plate



RANGE	CODE	MODEL	FUNCTION
MI - 60	CRO853240	FT68GLC	Griddles

ITEM

**Gas griddle top with smooth chromed plate**



**TECHNICAL SPECIFICATIONS**

WIDTH (mm):	800
DEPTH (mm):	650
HEIGHT (mm):	295
WEIGHT (Kg):	78
VOLUME (m <sup>3</sup> ):	0.32
GAS POWER (kW):	12.5
COOKING ZONES N°:	2
COOKING ZONES DIM. (mm):	796x555mm
COOKING ZONE DETAILS:	2x 6,25kW
PRODUCT SPECIFICATIONS:	Smooth Chromed Plate
TEMP. RANGE (°C):	160-280

**DESCRIPTION**

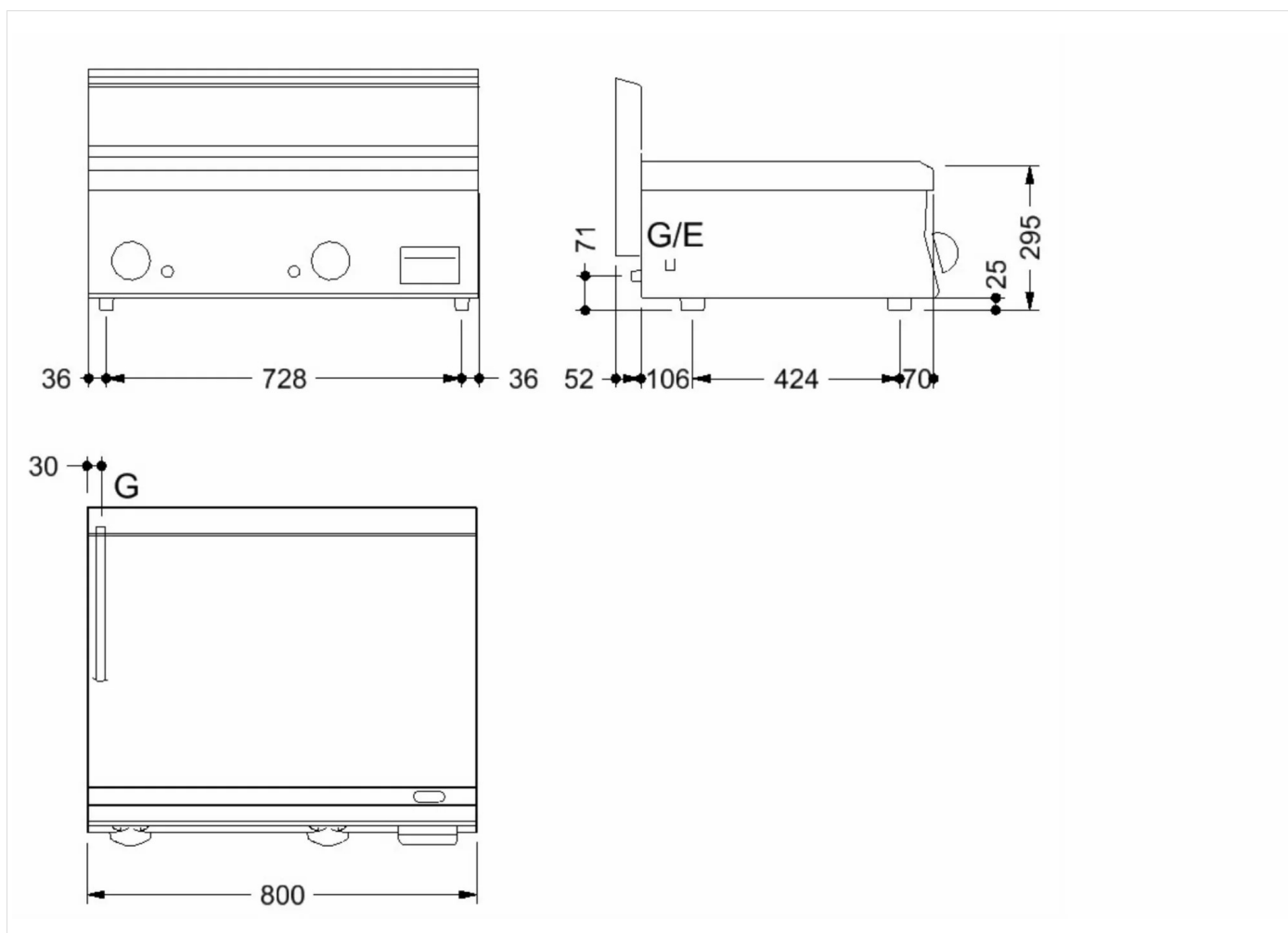
Gas heated griddle with smooth plate mm 596x555, gas supply through thermostatic cock, removable splash guard, dripping fat drawer, 2 cooking zones.



RANGE	CODE	MODEL	FUNCTION
MI - 60	CRO853240	FT68GLC	Griddles

ITEM

Gas griddle top with smooth chromed plate



INSTALLATION SPECIFICATIONS

(G) Gas Inlet:  $\text{Ø}1/2''$

