

RANGE	CODE	MODEL	FUNCTION
MI - 60	CRI3O2580	FT66EL	Griddles

ITEM

**Electric griddle top with smooth plate**

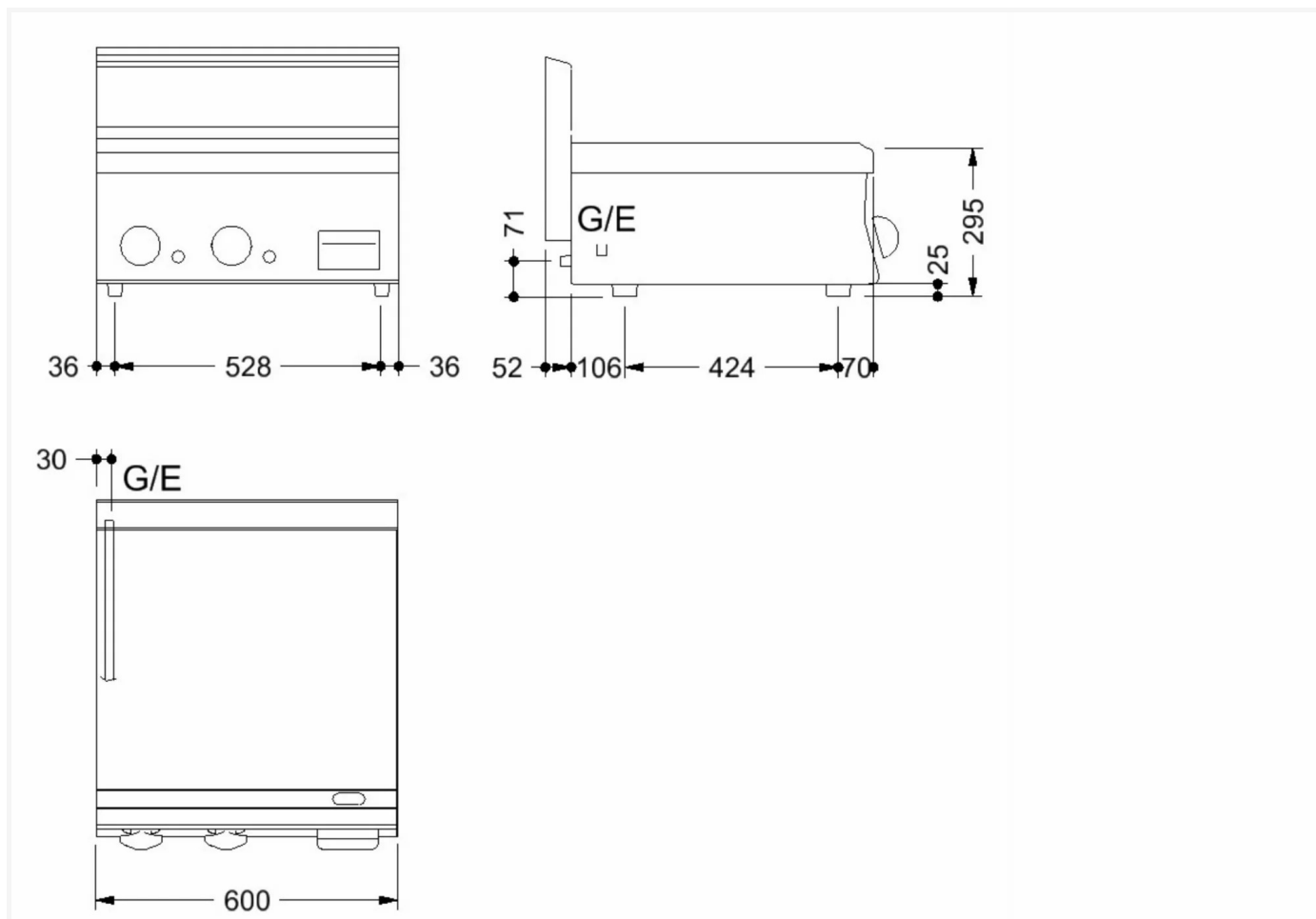


RANGE	CODE	MODEL	FUNCTION
MI - 60	CRI3O2580	FT66EL	Griddles

ITEM

Electric griddle top with smooth plate

DETAILS



RANGE	CODE	MODEL	FUNCTION
MI - 60	CRI3O258O	FT66EL	Griddles

ITEM

**Electric griddle top with smooth plate**



**TECHNICAL SPECIFICATIONS**

WIDTH (mm):	600
DEPTH (mm):	600
HEIGHT (mm):	295
WEIGHT (Kg):	56
VOLUME (m <sup>3</sup> ):	0.3
EL. POWER (kW):	7.8
VOLTAGE:	VAC400 3N
COOKING ZONES N°:	2
COOKING ZONES DIM. (mm):	596x555mm
COOKING ZONE DETAILS:	2x 3,9kW
PRODUCT SPECIFICATIONS:	Smooth Inox AISI 430 Plate
IP GRADE:	IPX3
TEMP. RANGE (°C):	50-300

**DESCRIPTION**

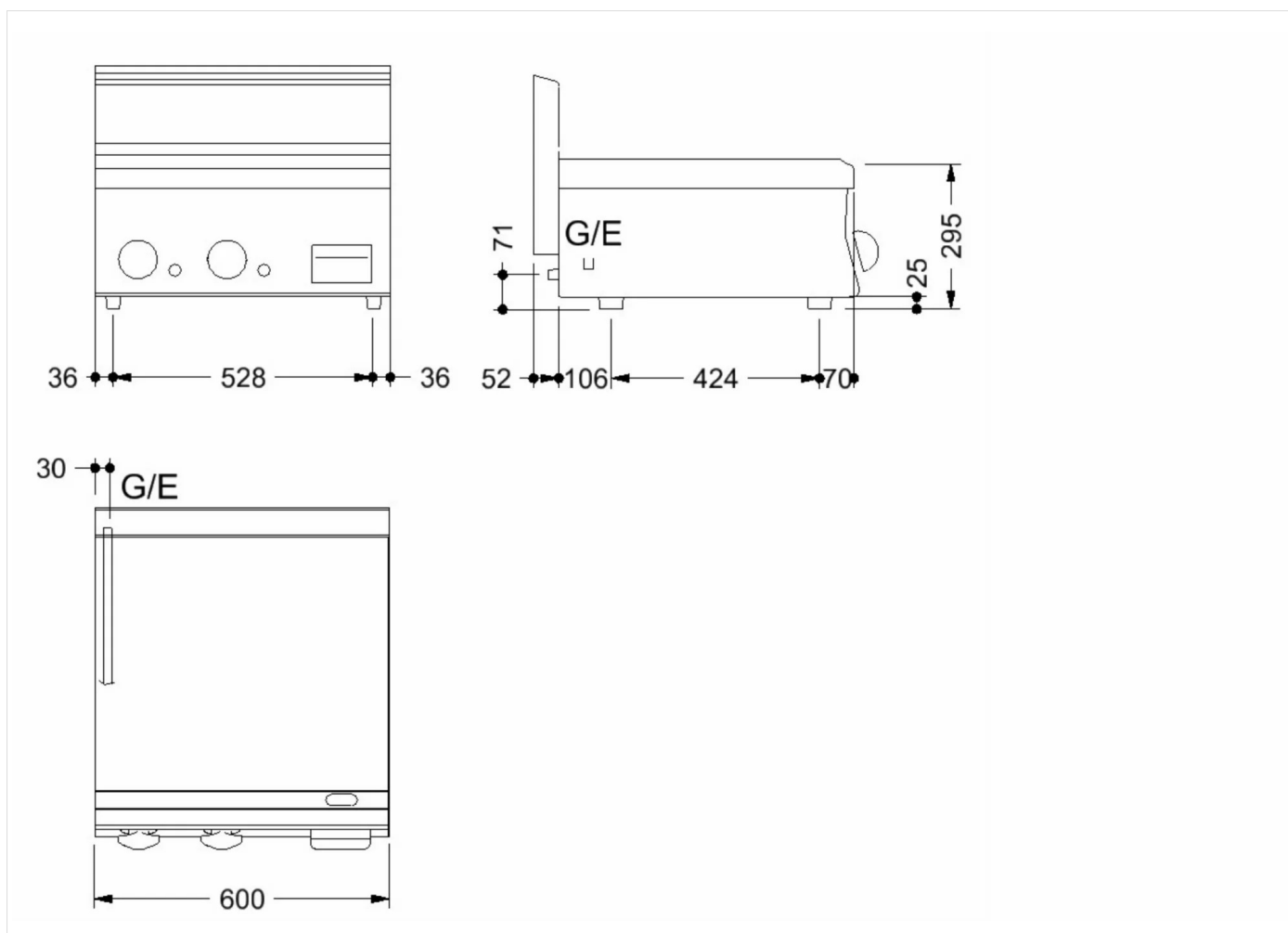
Electric griddle with smooth plate in stainless steel Aisi 430. Equipment made of stainless steel. Equipped with splash guard on three sides and front channel with removable tray for grease collection. Heating by means of armoured heating elements placed under the plate. Two independent cooking zones controlled by adjustable thermostat from 0°C to 300°C. Safety thermostat with manual reset. Cooking surface mm 596x555. Stainless steel shovel included. The product complies with EC Regulation 1935/2004 and DM 21/03/1973 (Materials and articles intended to come into contact with food) MOCA.



RANGE	CODE	MODEL	FUNCTION
MI - 60	CRI3O258O	FT66EL	Griddles

ITEM

**Electric griddle top with smooth plate**



**INSTALLATION SPECIFICATIONS**

(E) Electrical Connection: VAC400 3N 50/60Hz

