

RANGE	CODE	MODEL	FUNCTION
MI - 60	CRO853310	FT66ELC	Griddles

ITEM

Electric griddle top with smooth chromed plate



RANGE	CODE	MODEL	FUNCTION
MI - 60	CRO853310	FT66ELC	Griddles

ITEM

Electric griddle top with smooth chromed plate



TECHNICAL SPECIFICATIONS

WIDTH (mm):	600
DEPTH (mm):	600
HEIGHT (mm):	295
WEIGHT (Kg):	56
VOLUME (m ³):	0.3
EL. POWER (kW):	7.8
VOLTAGE:	VAC400 3N
COOKING ZONES N°:	2
COOKING ZONES DIM. (mm):	596x555mm
COOKING ZONE DETAILS:	2x 3,9kW
PRODUCT SPECIFICATIONS:	Smooth Chromed Plate
IP GRADE:	IPX3
TEMP. RANGE (°C):	50-300

DESCRIPTION

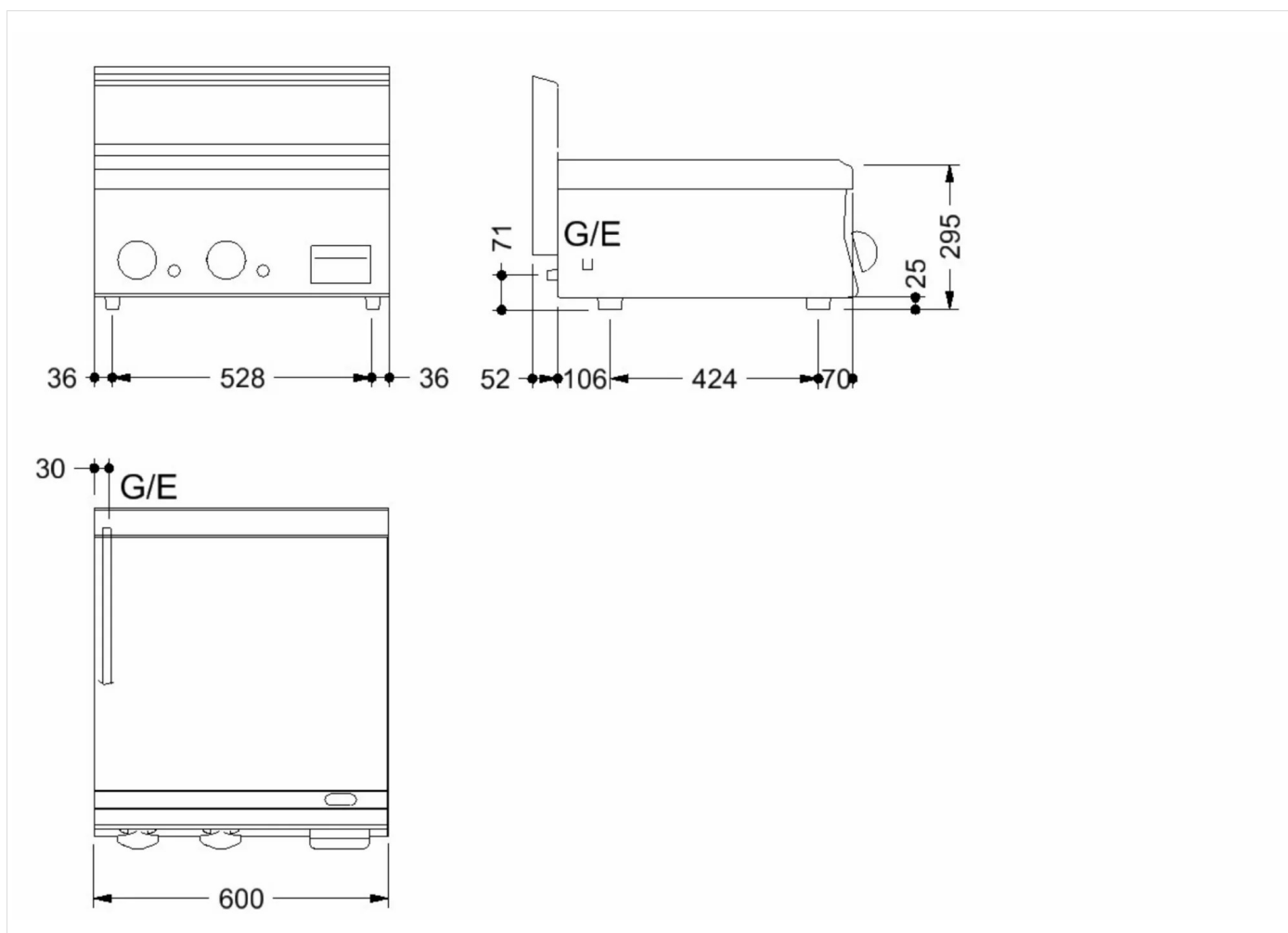
Chrome-plated s/s smooth electric griddle plate. With splashback on three sides and front channel with removable fat collection tray. Heated by armoured heating elements underneath the plate. Two independent thermostat-controlled cooking zones for temperature adjustment from 0°C to 300°C. Manual reset safety thermostat. Cooking surface 596x555 mm. S/s scraper included.



RANGE	CODE	MODEL	FUNCTION
MI - 60	CRO853310	FT66ELC	Griddles

ITEM

Electric griddle top with smooth chromed plate



INSTALLATION SPECIFICATIONS

(E) Electrical Connection: VAC400 3N 50/60Hz

