

RANGE	CODE	MODEL	FUNCTION
MI - 60	CRO853I90	FT64GL#	Griddles - Mild steel

ITEM

Gas griddle top with smooth plate



RANGE	CODE	MODEL	FUNCTION
MI - 60	CRO853190	FT64GL#	Griddles - Mild steel

ITEM

**Gas griddle top with smooth plate**



**TECHNICAL SPECIFICATIONS**

WIDTH (mm):	400
DEPTH (mm):	650
HEIGHT (mm):	295
WEIGHT (Kg):	43
VOLUME (m <sup>3</sup> ):	0.22
GAS POWER (kW):	5
COOKING ZONES N°:	1
COOKING ZONES DIM. (mm):	396x555mm
COOKING ZONE DETAILS:	1x 5kW
PRODUCT SPECIFICATIONS:	Smooth Mild Steel Plate
TEMP. RANGE (°C):	160-280

**DESCRIPTION**

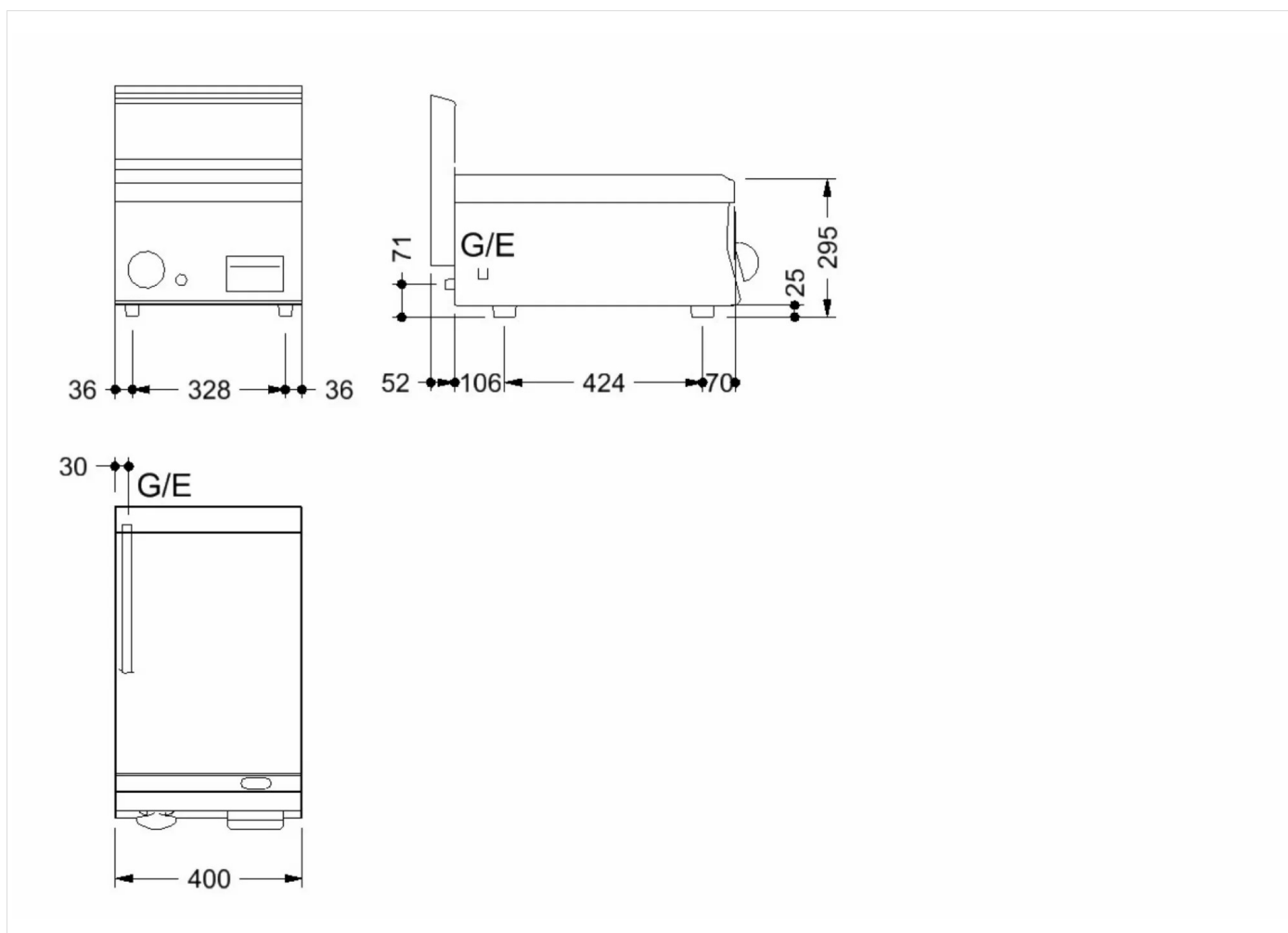
Gas heated griddle with smooth plate mm 396x555, gas supply through thermostatic cock, removable splash guard, dripping fat drawer. S/s scraper.



RANGE	CODE	MODEL	FUNCTION
MI - 60	CRO853I90	FT64GL#	Griddles - Mild steel

ITEM

**Gas griddle top with smooth plate**



## INSTALLATION SPECIFICATIONS

(G) Gas Inlet:  $\text{Ø}1/2''$

