

RANGE	CODE	MODEL	FUNCTION
MI - 60	CRO853550	FT68GL#	Griddles - Mild steel

ITEM

Gas griddle top with smooth plate



RANGE	CODE	MODEL	FUNCTION
MI - 60	CRO853550	FT68GL#	Griddles - Mild steel

ITEM

Gas griddle top with smooth plate



TECHNICAL SPECIFICATIONS

WIDTH (mm):	800
DEPTH (mm):	650
HEIGHT (mm):	295
WEIGHT (Kg):	78
VOLUME (m ³):	0.32
GAS POWER (kW):	12.5
COOKING ZONES N°:	2
COOKING ZONES DIM. (mm):	796x555mm
COOKING ZONE DETAILS:	2x 6,25kW
PRODUCT SPECIFICATIONS:	Smooth Mild Steel Plate
TEMP. RANGE (°C):	160-280

DESCRIPTION

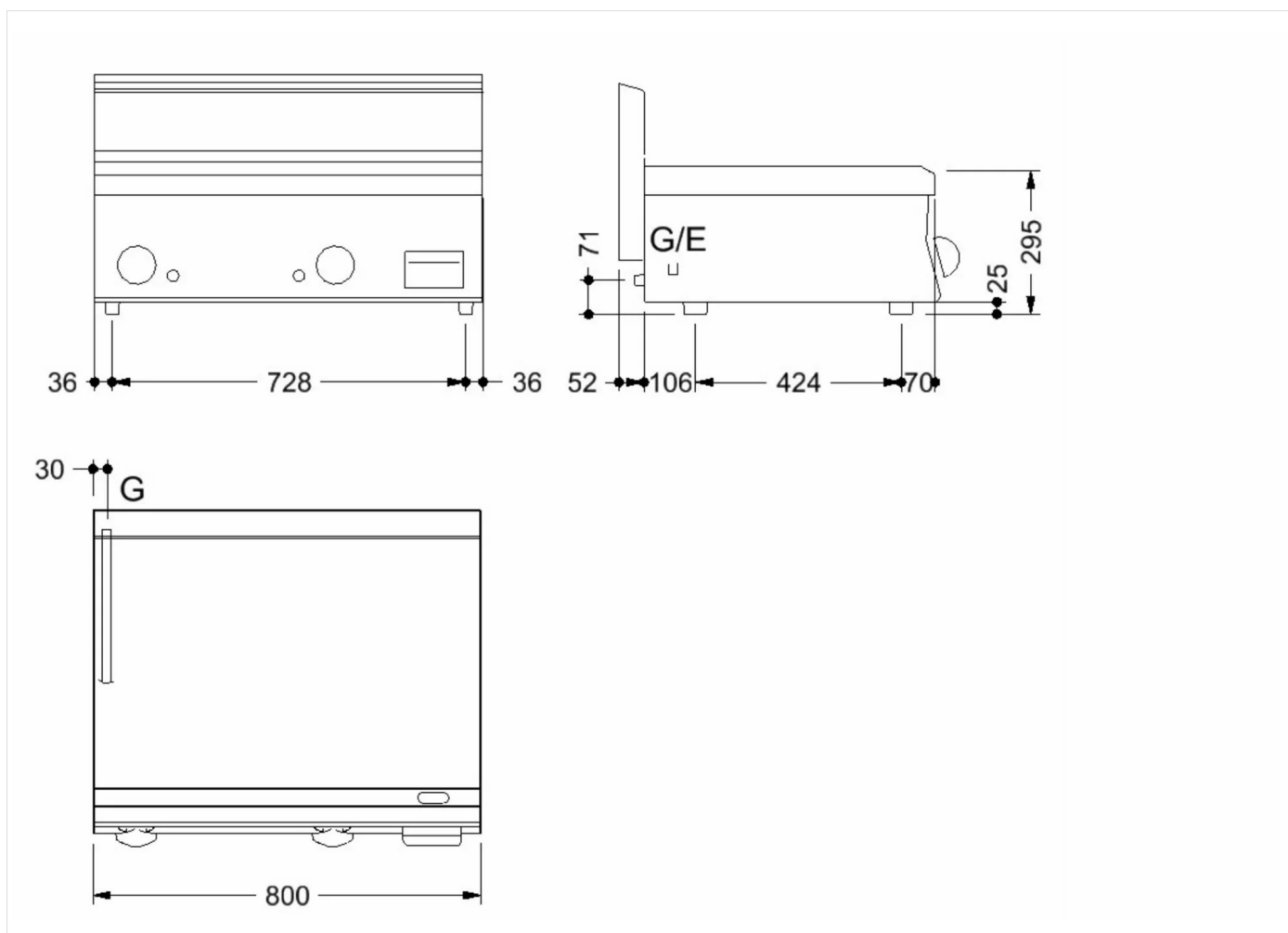
Gas heated griddle with smooth plate mm 796x555, gas supply through thermostatic cock, removable splash guard, dripping fat drawer, 2 cooking zones.



RANGE	CODE	MODEL	FUNCTION
MI - 60	CRO853550	FT68GL#	Griddles - Mild steel

ITEM

Gas griddle top with smooth plate



INSTALLATION SPECIFICATIONS

(G) Gas Inlet: $\text{Ø}1/2''$

