

RANGE	CODE	MODEL	FUNCTION
MI - 90	MAMCOOO3I20	WK96GG	Gas Ranges

ITEM

Single gas 14 kW wok burner on open stand



RANGE	CODE	MODEL	FUNCTION
MI - 90	MAMCOOO3I20	WK96GG	Gas Ranges

ITEM

Single gas 14 kW wok burner on open stand



TECHNICAL SPECIFICATIONS

WIDTH (mm):	600
DEPTH (mm):	920
HEIGHT (mm):	900
WEIGHT (Kg):	60
VOLUME (m ³):	0.58
GAS POWER (kW):	14
INTERNAL BASE UNIT DIM. (mm):	520x400(h)x900 mm
COOKING ZONES N°:	1
COOKING ZONES DIM. (mm):	Ø 275 mm
COOKING ZONE DETAILS:	1x 14kW

DESCRIPTION

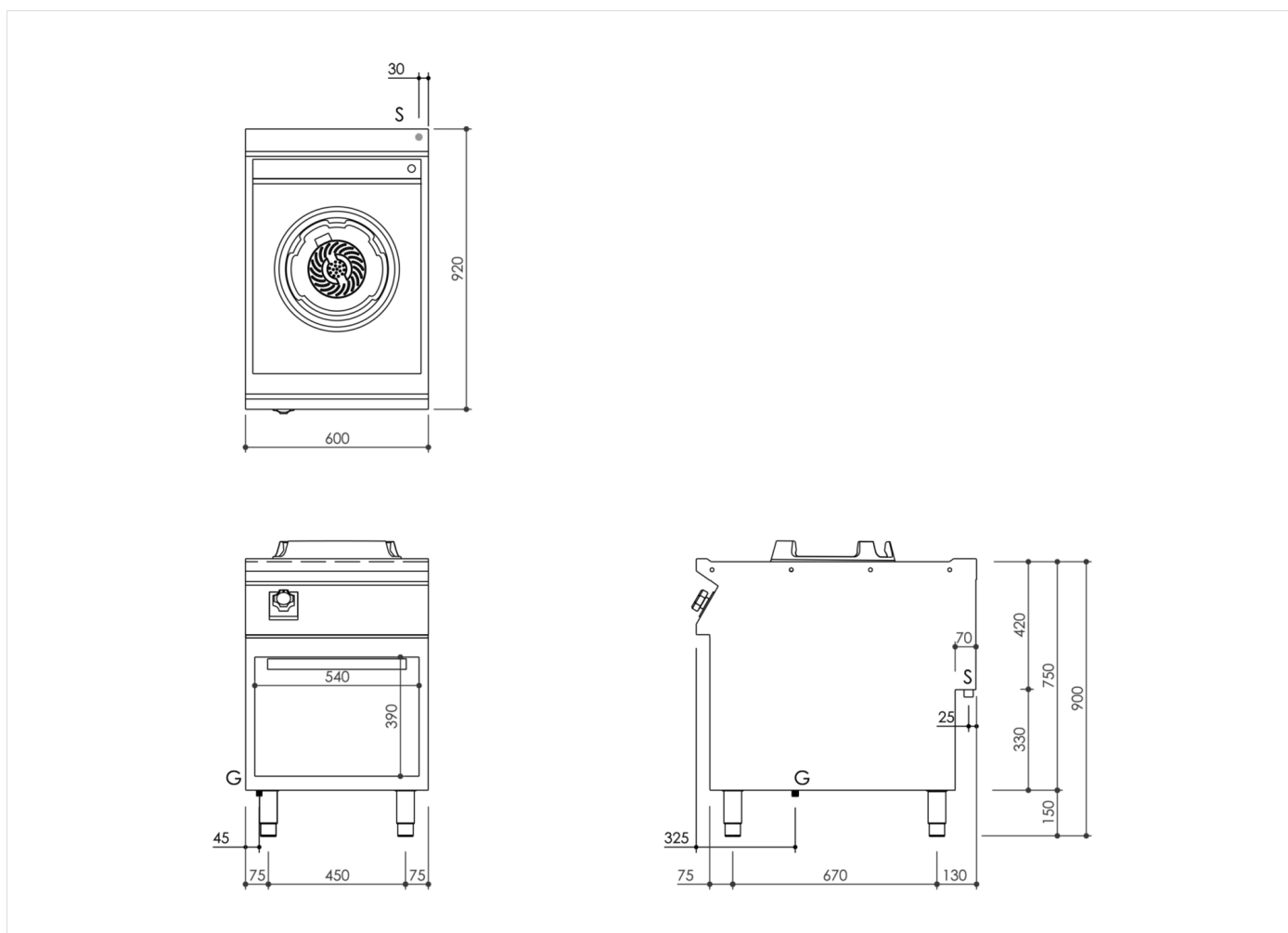
Freestanding gas wok cooker, on open cabinet base, in AISI 304 stainless steel. 20/10 pressed steel top with anti-spill front edge, designed for flush alignment with hermetic seal supplied. High efficiency vertical flame burner, for uniform heating and perfectly cooked food. Ø 190 mm 14 kW burner in enamelled cast iron, with stainless steel venturi system, removable for easy cleaning and maintenance. Output control by means of a safety tap with thermocouple. Main burner ignition by means of a permanent pilot burner. Ø 275 mm Wok pan stand in enamelled cast iron with Ø 410 mm base. 550x720 mm top with recessed spillage well and Ø 22 mm rear drain to right, fitted for connection to floor drain. Optional water filling system for cooling and cleaning of top. Removable grease collection tray positioned below burners. Appliance equipped with stainless steel adjustable feet.



RANGE	CODE	MODEL	FUNCTION
MI - 90	MAMCOOO3I20	WK96GG	Gas Ranges

ITEM

Single gas 14 kW wok burner on open stand



INSTALLATION SPECIFICATIONS

(G) Gas Inlet: $\text{Ø}1/2''$

