

RANGE	CODE	MODEL	FUNCTION
MI - 90	MAMCOOO3170	TP98GG	Solid Top

ITEM

Gas cast iron solid top plate with removable bullseye on open stand



RANGE	CODE	MODEL	FUNCTION
MI - 90	MAMCOOO3I7O	TP98GG	Solid Top

ITEM

Gas cast iron solid top plate with removable bullseye on open stand



TECHNICAL SPECIFICATIONS

WIDTH (mm):	800
DEPTH (mm):	920
HEIGHT (mm):	900
WEIGHT (Kg):	111
VOLUME (m ³):	1
GAS POWER (kW):	11
INTERNAL BASE UNIT DIM. (mm):	720x400(h)x900 mm
COOKING ZONES N°:	1
COOKING ZONES DIM. (mm):	780x700mm
COOKING ZONE DETAILS:	1x 11kW

DESCRIPTION

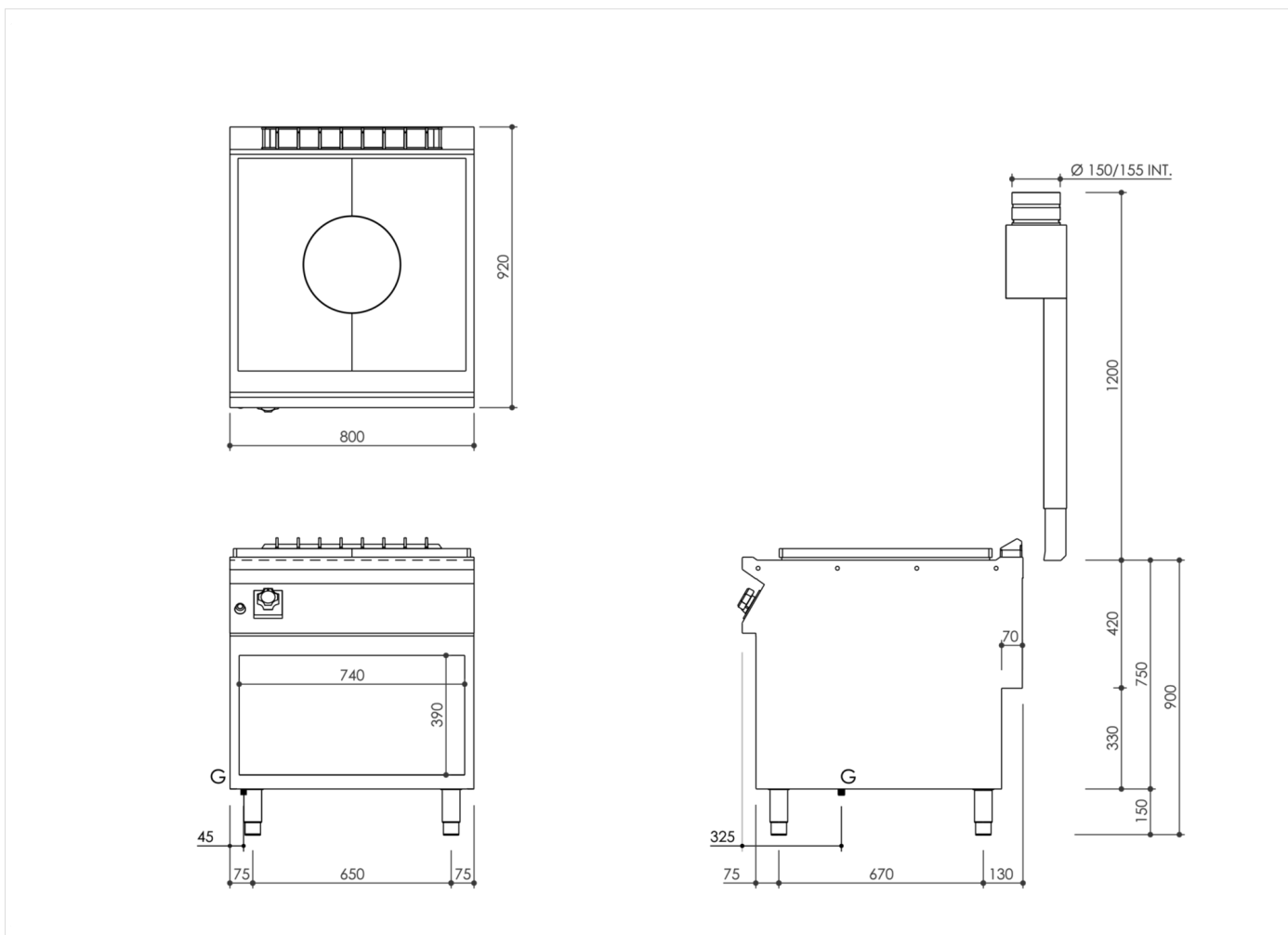
Freestanding gas solid top, on open cabinet base, in AISI 304 stainless steel. 20/10 pressed steel top with anti-spill front edge, designed for flush alignment with hermetic seal supplied. Top designed to accommodate water column accessory. 780x700 mm radiant hotplate in heavy gauge cast iron with ribs for optimal heat diffusion and central bullseye. Heating occurs by means of a double ring, stainless steel, chromed burner with high rated output to reach 500 °C at the centre of the plate and 200 °C near the edges, complete with a pilot burner with piezoelectric ignition and safety thermocouple. Ergonomic knobs shaped to prevent water infiltration. Gas supply controlled by a thermostatic safety valve. Appliance equipped with stainless steel adjustable feet.



RANGE	CODE	MODEL	FUNCTION
MI - 90	MAMCOOO3I7O	TP98GG	Solid Top

ITEM

Gas cast iron solid top plate with removable bullseye on open stand



INSTALLATION SPECIFICATIONS

(G) Gas Inlet: $\text{Ø}1/2''$

