

RANGE	CODE	MODEL	FUNCTION
MI - 90	MAMCOOO3400	CI98ET	Induction Ranges

ITEM

4 zone induction top



RANGE	CODE	MODEL	FUNCTION
MI - 90	MAMCOOO3400	CI98ET	Induction Ranges

ITEM

4 zone induction top



TECHNICAL SPECIFICATIONS

WIDTH (mm):	800
DEPTH (mm):	920
HEIGHT (mm):	250
WEIGHT (Kg):	68
VOLUME (m ³):	0.5
EL. POWER (kW):	20
VOLTAGE:	VAC400-3
COOKING ZONES N°:	4
COOKING ZONES DIM. (mm):	4x Ø280mm
IP GRADE:	IPX5

DESCRIPTION

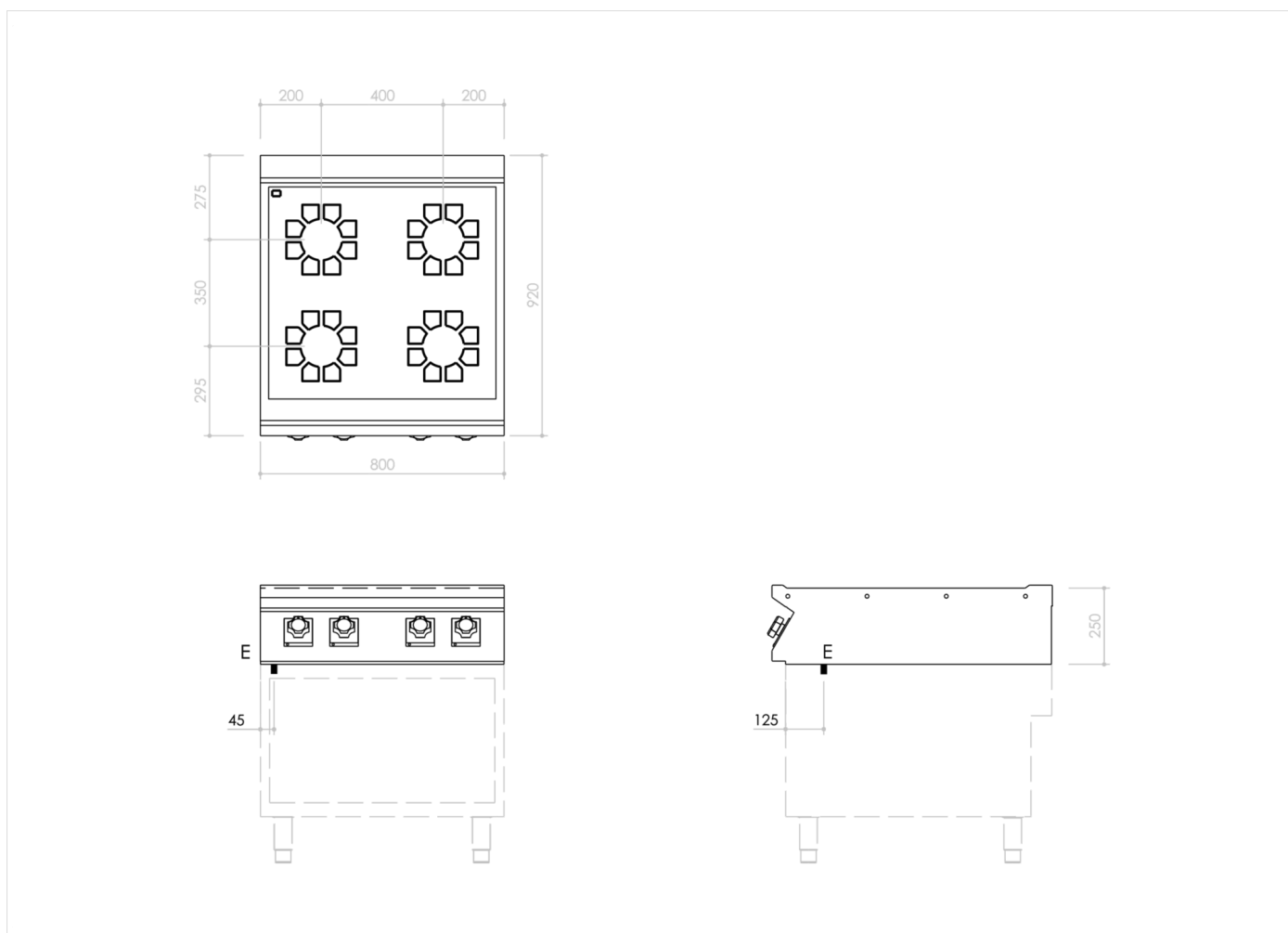
Induction boiling top in AISI 304 stainless steel. 20/10 pressed steel top with anti-spill front edge, designed for flush alignment with hermetic seal supplied. Top designed to accommodate water column accessory. 6 mm thick glass ceramic cooking surface hermetically sealed to the top and designed to create 4 independent cooking zones, each with underlying 5 kW Ø 280 mm round inductors. Pan detection system that activates heating when cooking receptacle is present. The cooking zones are identified by screen printed markings and equipped with residual heat indicators. IO-position energy selector for heat control with shape designed to prevent water infiltration, equipped with integral indicator lights for instant recognition of heating and correct operation of the appliance. Integral power-box complete with main safety sensor. IPX5 water-resistant rating.



RANGE	CODE	MODEL	FUNCTION
MI - 90	MAMCOOO3400	CI98ET	Induction Ranges

ITEM

4 zone induction top



INSTALLATION SPECIFICATIONS

(E) Electrical Connection: **VAC400-3 50Hz**

