

RANGE	CODE	MODEL	FUNCTION
MI - 90	MAMCOOO3510	FR96G10A	Fryers

ITEM

Twin pan gas fryer 10+10 litres

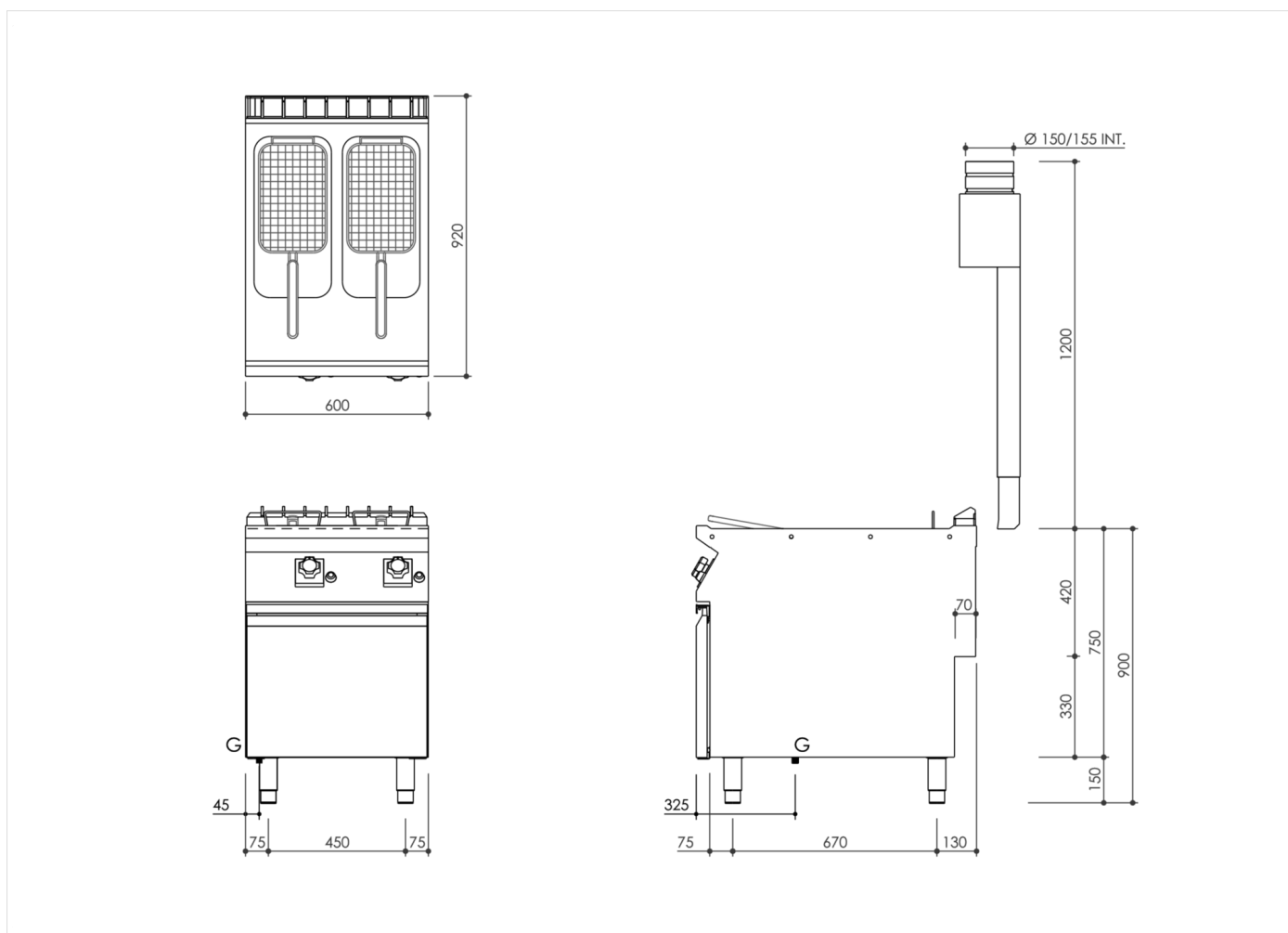




RANGE	CODE	MODEL	FUNCTION
MI - 90	MAMCOOO35IO	FR96GIOA	Fryers

ITEM

Twin pan gas fryer 10+10 litres



## INSTALLATION SPECIFICATIONS

(G) Gas Inlet:  $\text{Ø}1\frac{1}{2}$ "

