

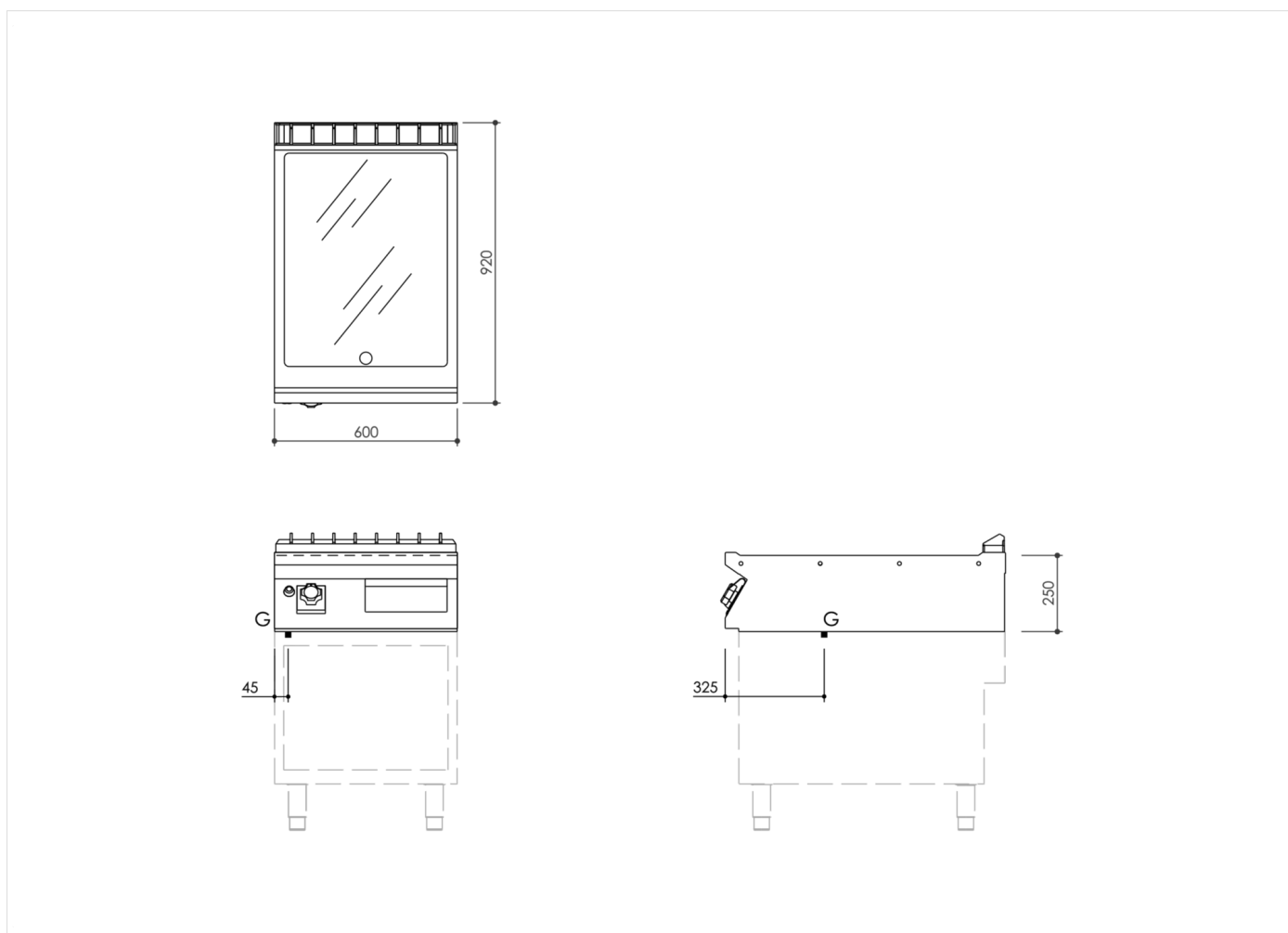




RANGE	CODE	MODEL	FUNCTION
MI - 90	MAMCOOO3800	FT96GLCT	Griddles

ITEM

Gas griddle top with smooth chromed plate



**INSTALLATION SPECIFICATIONS**

(G) Gas Inlet:  $\text{Ø}1/2''$

