

RANGE	CODE	MODEL	FUNCTION
MI - 70	MAMCO0000080	PC7I2GG	Gas Ranges

ITEM

6 gas burner boiling top on open stand

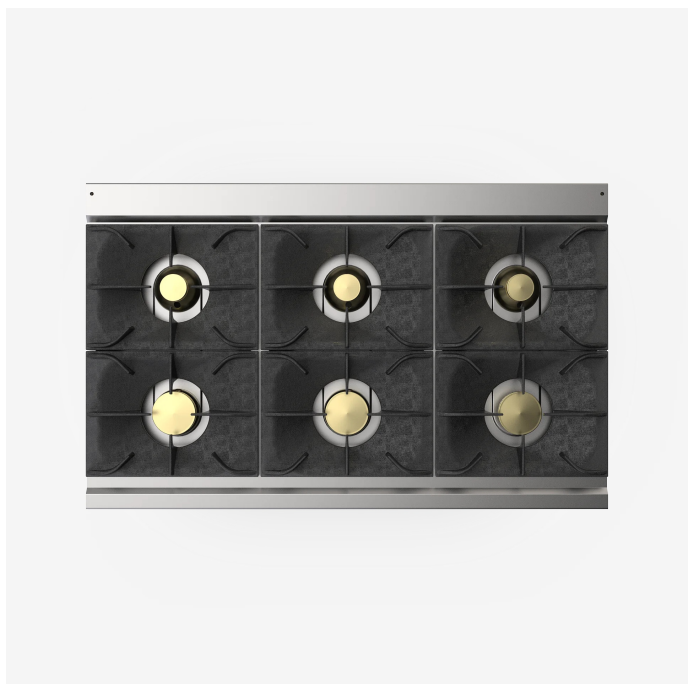


RANGE	CODE	MODEL	FUNCTION
MI - 70	MAMCOOOOO80	PC7I2GG	Gas Ranges

ITEM

6 gas burner boiling top on open stand

DETAILS



RANGE	CODE	MODEL	FUNCTION
MI - 70	MAMCO000080	PC7I2GG	Gas Ranges

ITEM

6 gas burner boiling top on open stand



TECHNICAL SPECIFICATIONS

WIDTH (mm):	1200
DEPTH (mm):	750
HEIGHT (mm):	900
WEIGHT (Kg):	99
VOLUME (m ³):	0.5
GAS POWER (kW):	45
INTERNAL BASE UNIT DIM. (mm):	1080x400(h)x700 mm
COOKING ZONES N°:	6
COOKING ZONE DETAILS:	3x 9kW 3x 6kW

DESCRIPTION

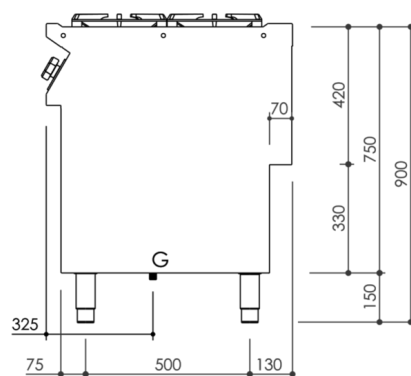
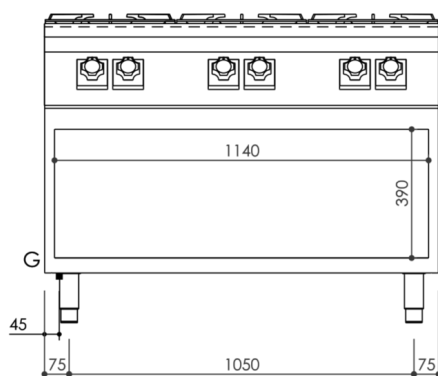
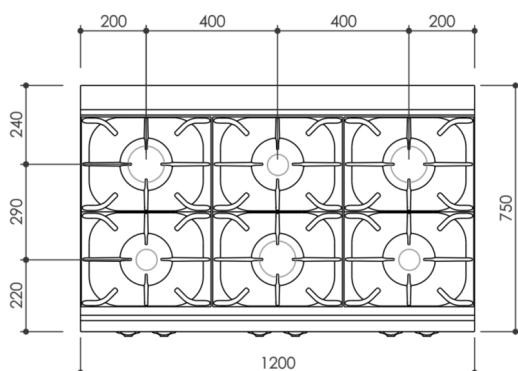
Freestanding gas boiling top, on open cabinet base, in AISI 304 stainless steel. 20/10 pressed steel top with anti-spill front edge, designed for flush alignment with hermetic seal supplied. Top designed to accommodate water column accessory. Appliance comprising 6 main burners hermetically sealed to the top with maximum output of 9 kW. Ergonomic knobs shaped to prevent water infiltration. Output control from 1.6 to 9 kW by means of valve with safety thermocouple. Main burner ignition by means of permanent low-energy pilot burner (170 W). Pilot burner and thermocouple are located underneath the main burner body, protected from accidental impact and spills. Boiling top with heavy duty pan stands in RAAF enamelled cast-iron (acid, alkali and flame resistant); the pan stands are compatible with both small and large pans. IPX5 water-resistant rating. Appliance equipped with stainless steel adjustable feet.



RANGE	CODE	MODEL	FUNCTION
MI - 70	MAMCOOOOO80	PC7I2GG	Gas Ranges

ITEM

6 gas burner boiling top on open stand



INSTALLATION SPECIFICATIONS

(G) Gas Inlet: $\text{Ø}1/2''$

