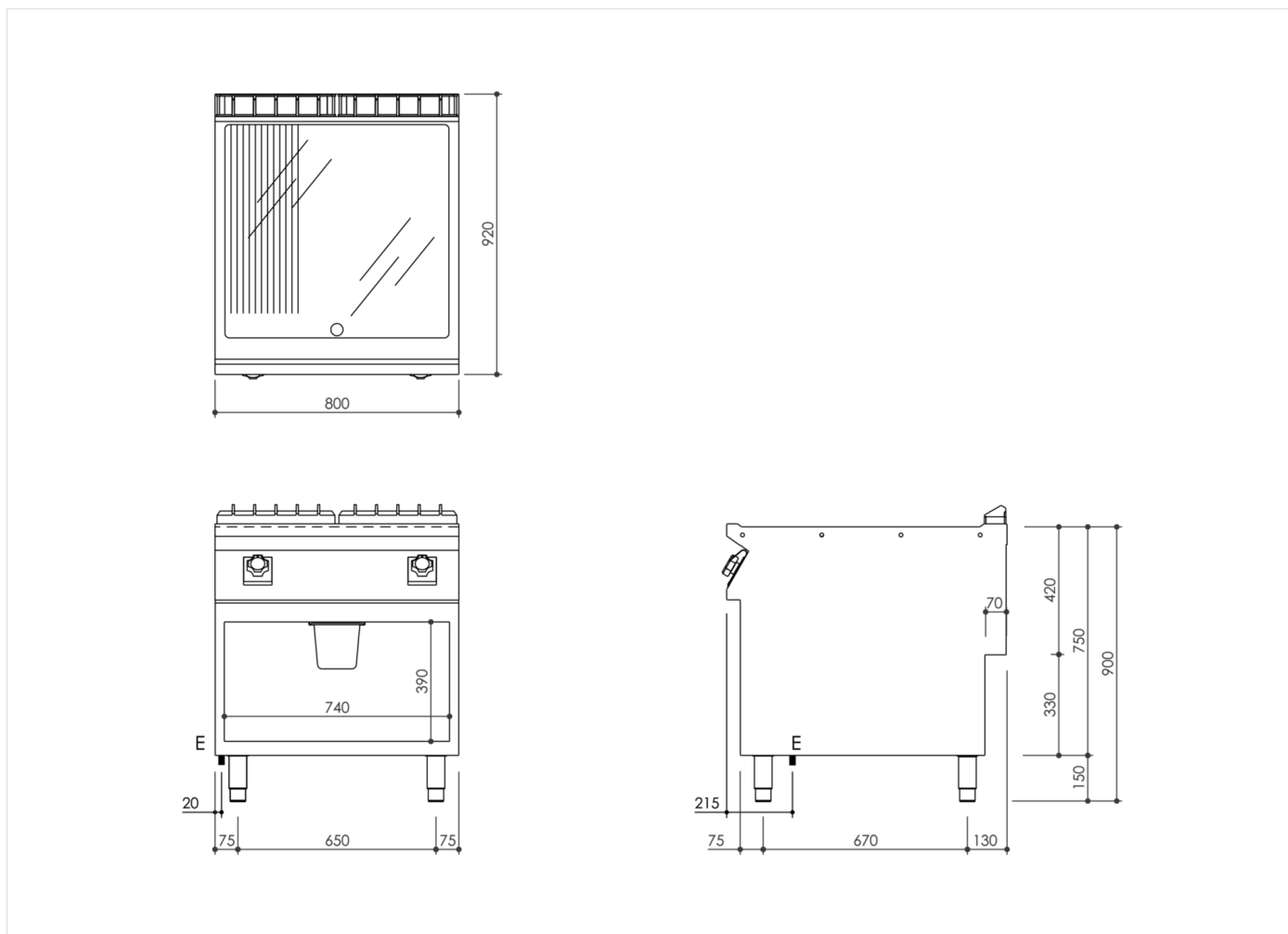


RANGE	CODE	MODEL	FUNCTION
MI - 90	MAMCOOO44IO	FT98EMCG	Griddles

ITEM

Electric griddle top with 2/3 smooth and 1/3 ribbed chromed plate on open stand



INSTALLATION SPECIFICATIONS

(E) Electrical Connection: VAC400-3N 50/60Hz

