

| RANGE   | CODE        | MODEL  | FUNCTION   |
|---------|-------------|--------|------------|
| MI - 90 | MAMCOOO4740 | BA98ET | Bain-Marie |

ITEM

**Electric bain marie 800 mm width top 2 x GN 1/1**



|         |             |        |            |
|---------|-------------|--------|------------|
| RANGE   | CODE        | MODEL  | FUNCTION   |
| MI - 90 | MAMCOOO4740 | BA98ET | Bain-Marie |

ITEM

Electric bain marie 800 mm width top 2 x GN 1/1



**TECHNICAL SPECIFICATIONS**

|                           |                  |                   |       |
|---------------------------|------------------|-------------------|-------|
| WIDTH (mm):               | 800              |                   |       |
| DEPTH (mm):               | 920              |                   |       |
| HEIGHT (mm):              | 250              |                   |       |
| WEIGHT (Kg):              | 40               |                   |       |
| VOLUME (m <sup>3</sup> ): | 0.25             |                   |       |
| EL. POWER (kW):           | 5.4              |                   |       |
| VOLTAGE:                  | VAC400-3N        |                   |       |
| COOKING ZONES N°:         | 1                |                   |       |
| TANK DIM. (mm):           | 678x748x170(h)mm |                   |       |
| TANK N°:                  | 1                | CAPACITY (L):     | 20    |
| CONTAINERS MAX N°:        | 2x GNI/1 +1/3    | CONTAINERS MAX H: | 150mm |
| IP GRADE:                 | IPX5             |                   |       |
| TEMP. RANGE (°C):         | 30-90            |                   |       |

**DESCRIPTION**

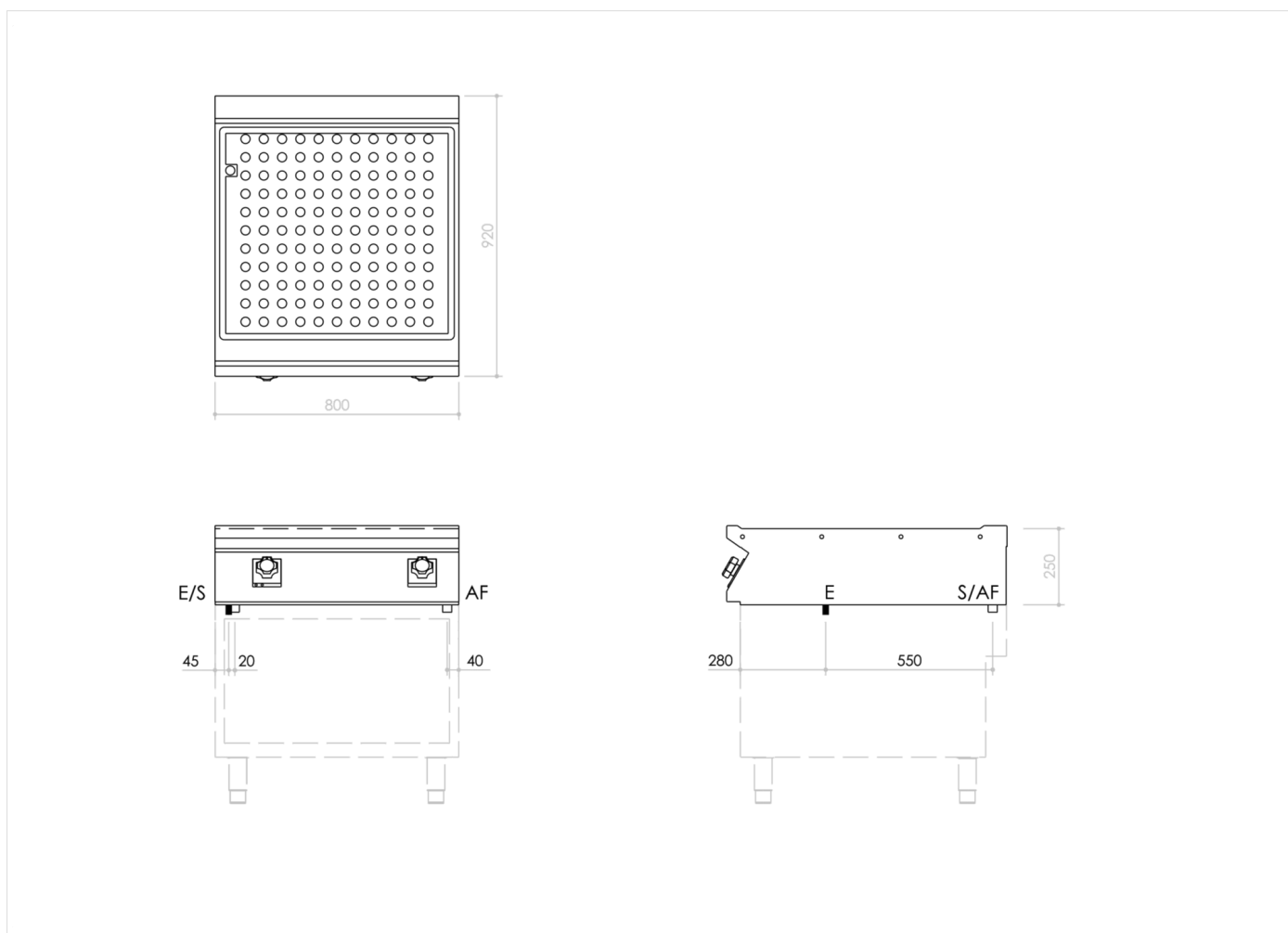
Electric bain marie top in AISI 304 stainless steel. 20/10 gauge worktop, without flue apertures, fitted for insertion of water column accessory. Tank in AISI 304 stainless steel with radiused internal corners to facilitate cleaning. Sloping tank bottom for optimum drainage of water. Dimensions no.2 x GN 1/1+1/3. Designed to accommodate containers up to 150 mm deep. Armored heating elements located underneath the tank. Water temperature thermostatically controlled, with adjustment from 30°C to 90°C. Safety thermostat trips in the event of activation of heating without water in the tank, manual reset. Activation of heating signalled by an orange indicator light on the control panel. Automatic water filling. Appliance equipped with vertical overflow drain. IPX5 water-resistant rating.



| RANGE   | CODE        | MODEL  | FUNCTION   |
|---------|-------------|--------|------------|
| MI - 90 | MAMCOOO4740 | BA98ET | Bain-Marie |

ITEM

Electric bain marie 800 mm width top 2 x GN 1/1



**INSTALLATION SPECIFICATIONS**

|                            |                   |
|----------------------------|-------------------|
| (E) Electrical Connection: | VAC400-3N 50/60Hz |
| (AF) Cold Water Inlet:     | Ø1/2"             |
| (S) Output Drain:          | Ø1/2"             |

