

RANGE	CODE	MODEL	FUNCTION
MI - 90	MAMCOOO5150	PE98GDI5A	Boiling Pans

ITEM

Gas boiling pan 150 litre capacity, with direct heating system and autoclave lid



RANGE	CODE	MODEL	FUNCTION
MI - 90	MAMCOOO5150	PE98GDI5A	Boiling Pans

ITEM

Gas boiling pan 150 litre capacity, with direct heating system and autoclave lid



TECHNICAL SPECIFICATIONS

WIDTH (mm):	800
DEPTH (mm):	920
HEIGHT (mm):	900
WEIGHT (Kg):	134
VOLUME (m ³):	1
GAS POWER (kW):	24
EL. POWER (kW):	0.1
VOLTAGE:	VAC IN 220-240
COOKING ZONES N°:	1
COOKING ZONE DETAILS:	1x 24kW
TANK DIM. (mm):	Ø600mm
TANK N°:	1
CAPACITY (L):	100

DESCRIPTION

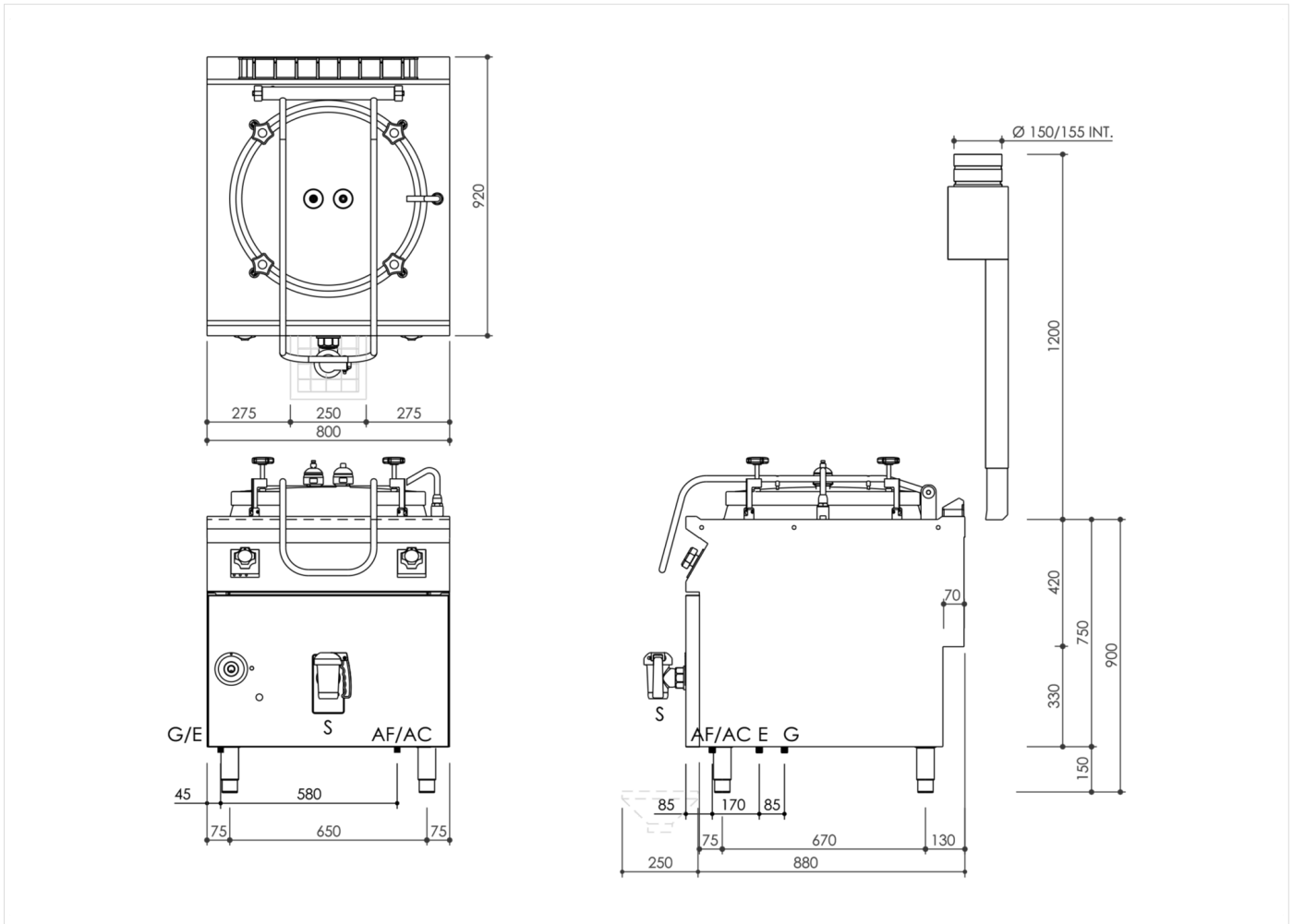
Freestanding direct heating gas boiling pan with autoclave lid in AISI 304 stainless steel. 20/10 pressed steel top with anti-spill front edge, designed for flush alignment with hermetic seal supplied. Tank base in polished AISI 316L stainless steel, walls in AISI 304 stainless steel. Thick insulating panels for thermal insulation of tank. Tank diameter 600 mm, capacity 150 l. Cold or hot water filling via solenoid valves controlled by a selector; water tap located on top 1 1/2 safety drain tap with grip in heatproof material. Counter-balanced lid with 75° opening and handle offering front and side grip. Direct heating with AISI 304 stainless steel burners positioned outside the tank. Heat control knob shaped to prevent water infiltration, equipped with integral indicator lights for instant recognition of heating and correct operation of the appliance. Temperature controlled by an energy regulator. Gas valve with pilot burner and safety thermocouple. Automatic pilot burner electric ignition. Model equipped with safety thermostat with reset button accessible to the user. Appliance equipped with stainless steel adjustable feet.



RANGE	CODE	MODEL	FUNCTION
MI - 90	MAMCOOO5150	PE98GD15A	Boiling Pans

ITEM

Gas boiling pan 150 litre capacity, with direct heating system and autoclave lid



INSTALLATION SPECIFICATIONS

(E) Electrical Connection:	VAC IN 220-240 50 Hz
(G) Gas Inlet:	Ø1/2"
(AF) Cold Water Inlet:	Ø1/2-H=100mm.
(AC) Hot Water Inlet:	Ø1/2-H=100mm.

