

RANGE	CODE	MODEL	FUNCTION
MI - 90	MAMCOOO5190	PE98EDIO	Boiling Pans

ITEM

Electric boiling pan 100 litre capacity, with direct heating system



RANGE	CODE	MODEL	FUNCTION
MI - 90	MAMCOOO5190	PE98EDIO	Boiling Pans

ITEM

Electric boiling pan 100 litre capacity, with direct heating system



TECHNICAL SPECIFICATIONS

WIDTH (mm):	800		
DEPTH (mm):	920		
HEIGHT (mm):	900		
WEIGHT (Kg):	129		
VOLUME (m ³):	1		
EL. POWER (kW):	12		
VOLTAGE:	VAC400-3N		
COOKING ZONES N°:	1		
COOKING ZONE DETAILS:	1x 12kW		
TANK DIM. (mm):	Ø600mm		
TANK N°:	1	CAPACITY (L):	100
IP GRADE:	IPX5		

DESCRIPTION

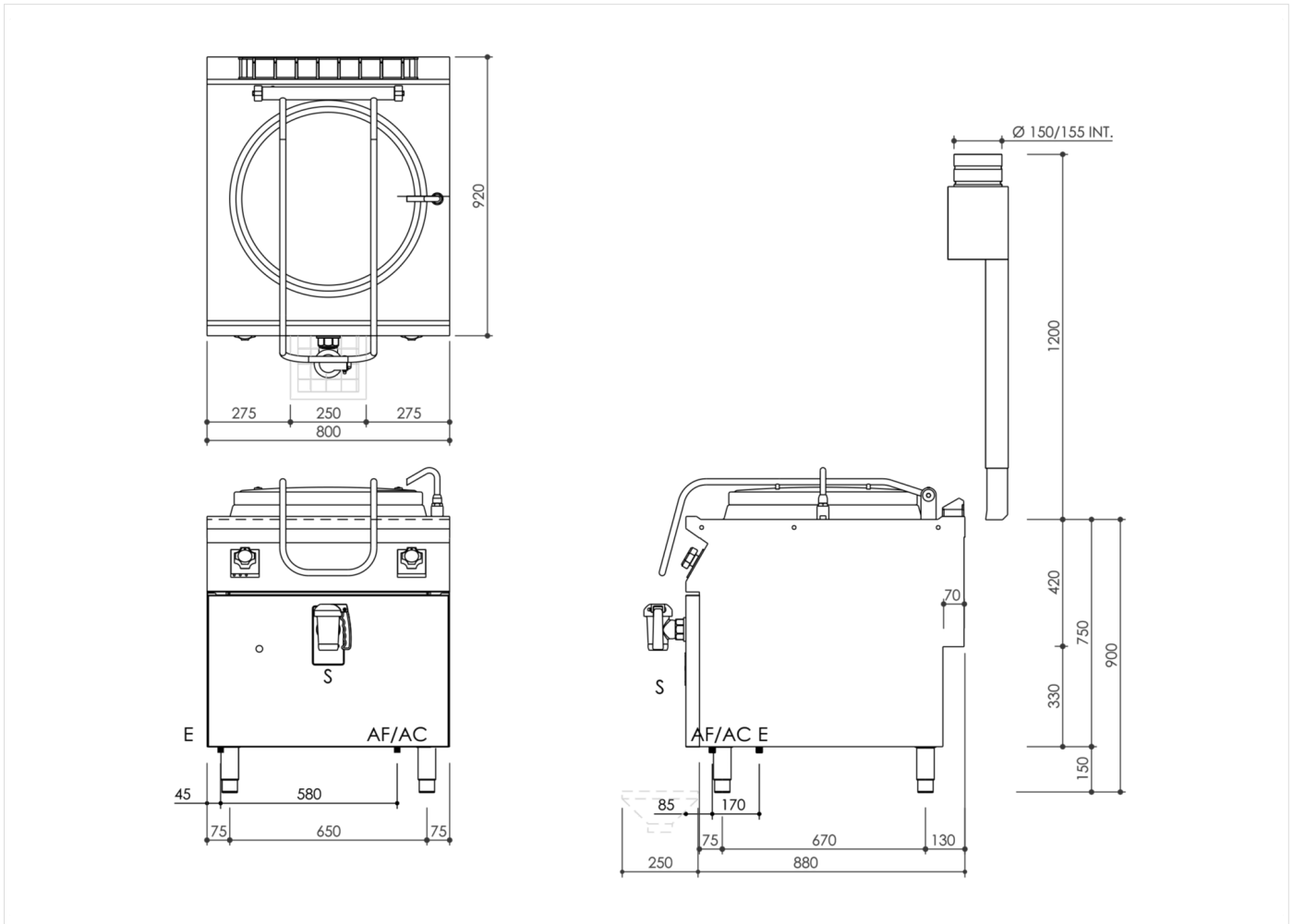
Freestanding direct heating electric boiling pan in AISI 304 stainless steel. 20/10 pressed steel top with anti-spill front edge, designed for flush alignment with hermetic seal supplied. Tank base in polished AISI 316L stainless steel, walls in AISI 304 stainless steel. Thick insulating panels for thermal insulation of tank. Tank diameter 600 mm, capacity 100 l. Cold or hot water filling via solenoid valves controlled by a selector; water tap located on top 1 1/2 safety drain tap with grip in heatproof material. Counter-balanced lid with 90° opening and handle offering front grip. Direct heating with AISI 304 stainless steel burners positioned outside the tank. Heat control knob shaped to prevent water infiltration, equipped with integral indicator lights for instant recognition of heating and correct operation of the appliance. Temperature controlled by an energy regulator. Model equipped with safety thermostat with reset button accessible to the user. IPX5 water-resistant rating. Appliance equipped with stainless steel adjustable feet.



RANGE	CODE	MODEL	FUNCTION
MI - 90	MAMCOOO5190	PE98EDIO	Boiling Pans

ITEM

Electric boiling pan 100 litre capacity, with direct heating system



INSTALLATION SPECIFICATIONS

(E) Electrical Connection:	VAC400-3N 50/60Hz
(AF) Cold Water Inlet:	$\varnothing 1/2$ -H=100mm.
(AC) Hot Water Inlet:	$\varnothing 1/2$ -H=100mm.

