

RANGE	CODE	MODEL	FUNCTION
MI - 90	MAMCOOO5210	PE98ED15	Boiling Pans

ITEM

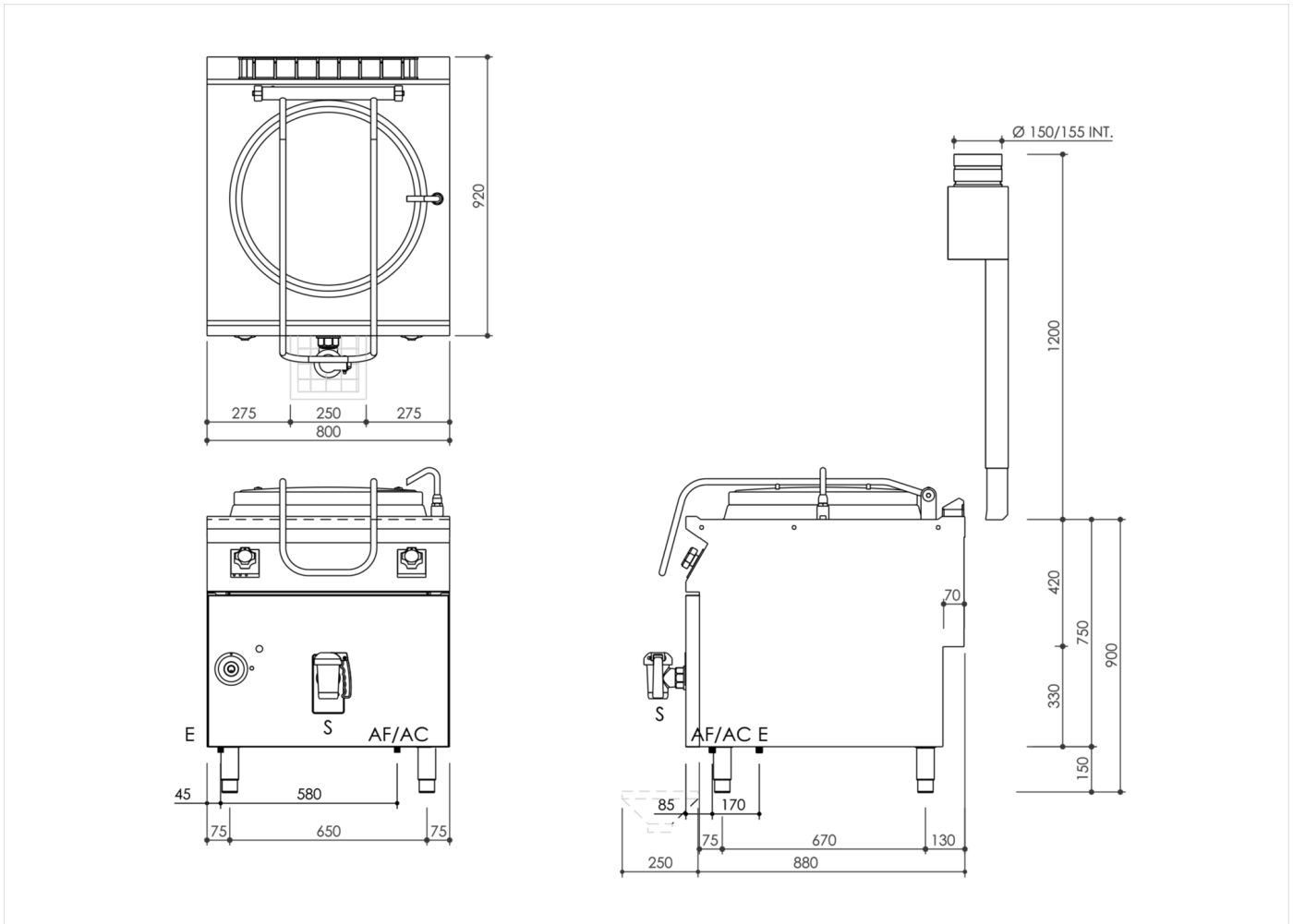
Electric boiling pan 150 litre capacity, with direct heating system



RANGE	CODE	MODEL	FUNCTION
MI - 90	MAMCOOO5210	PE98ED15	Boiling Pans

ITEM

Electric boiling pan 150 litre capacity, with direct heating system



INSTALLATION SPECIFICATIONS

(E) Electrical Connection:	VAC400-3N 50/60Hz
(AF) Cold Water Inlet:	Ø1/2-H=100mm.
(AC) Hot Water Inlet:	Ø1/2-H=100mm.

